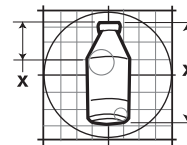




154 Package Vending Specification

426 Industrial Boulevard • Kearneysville WV 25430-2776 • USA
Telephone: +1 304 728 7056 • technicalinquiry@royalvendors.com
Toll-free in North America: 1 800 931 9214 • Fax: +1 304 725 4016
Canada: +1 905 738 5777 • Mexico: +52 55 5203 6887
Europe: +49 2158 95 1000 • Australia: +61 2 9890 5433



Page: 1 of 2
Date: 7 Apr 09
Revision: 00

PRODUCT NAME: Muscle Milk
BOTTLER / COMPANY: CytoSport, Inc.
VOLUME: 14 oz. / 414 mL
PACKAGE TYPE: PET
HEIGHT: 7.59 in. / 192.7 mm
DIAMETER: 2.67 in. / 67.9 mm
WEIGHT: 1.05 lbs. / 0.48 kg
COUNTRY OF ORIGIN: USA



VENDER	RETAINERS		79" CAPACITY	
	Front	Rear	Front	Rear
MIV Airflow*	11	14	32	32
MIV (regular)	12	15	32	32
TDV	8	9	32	64
RVV NG	N/A	N/A	8	N/A

* - Serial number 200422XX00001 and after.

KITS / PARTS: Merlin IV: Divider Extrusion (79": 815214; 72": 815215), one per column. TDV: Anti-bridging Kit (210108), one per front column, two per rear column. RVV NG: None required.

INSTRUCTIONS

MERLIN IV:

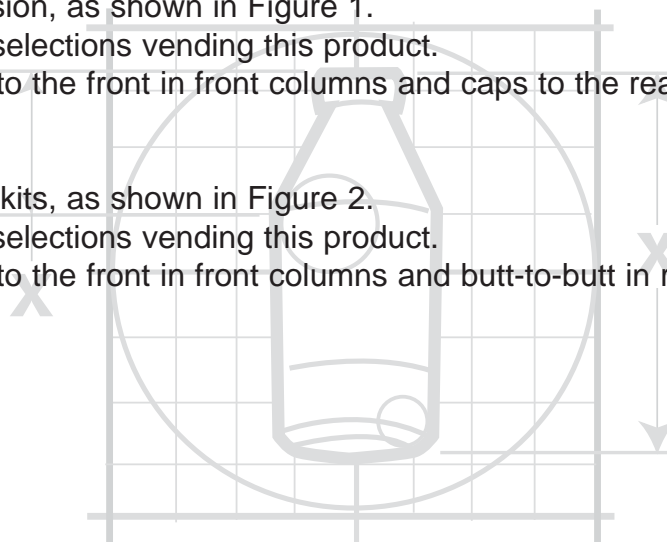
1. Install the divider extrusion, as shown in Figure 1.
2. Set depth to "1" for all selections vending this product.
3. Load bottles with caps to the front in front columns and caps to the rear in rear columns.

TDV:

1. Install the anti-bridging kits, as shown in Figure 2.
2. Set depth to "2" for all selections vending this product.
3. Load bottles with caps to the front in front columns and butt-to-butt in rear columns.

RVV NG:

No special instructions.

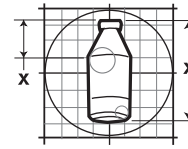


**ANY QUESTIONS? CONTACT ROYAL VENDORS' CUSTOMER SERVICE DEPARTMENT
IN NORTH AMERICA, CALL TOLL FREE 1 800 931 9214**



154 Package Vending Specification

426 Industrial Boulevard • Kearneysville WV 25430-2776 • USA
Telephone: +1 304 728 7056 • technicalinquiry@royalvenders.com
Toll-free in North America: 1 800 931 9214 • Fax: +1 304 725 4016
Canada: +1 905 738 5777 • Mexico: +52 55 5203 6887
Europe: +49 2158 95 1000 • Australia: +61 2 9890 5433



Page: 2 of 2

Date: 7 Apr 09

Revision: 00

PRODUCT NAME: Muscle Milk

FIGURE 1.

Installation of Merlin IV divider extrusions

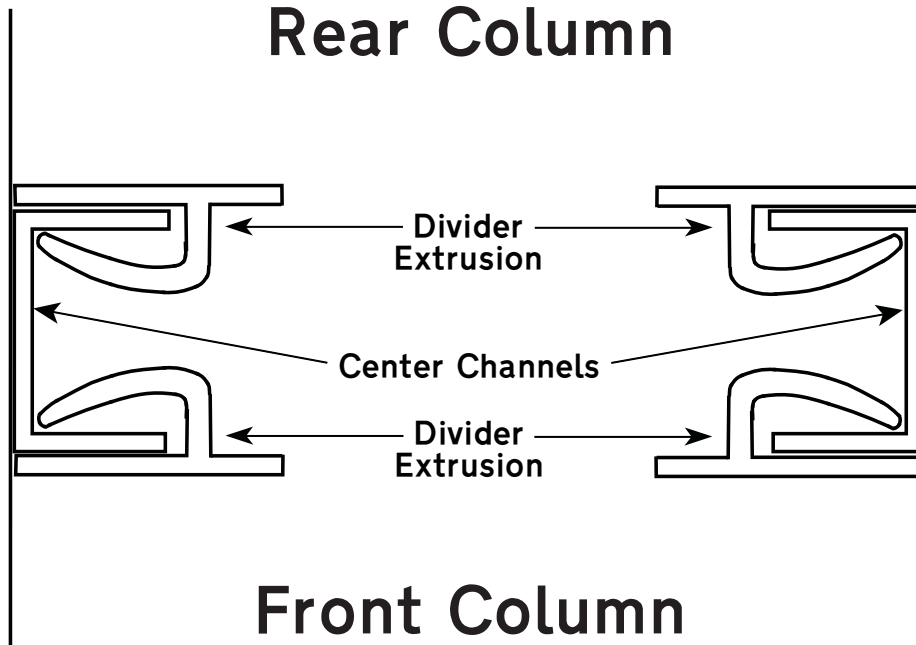


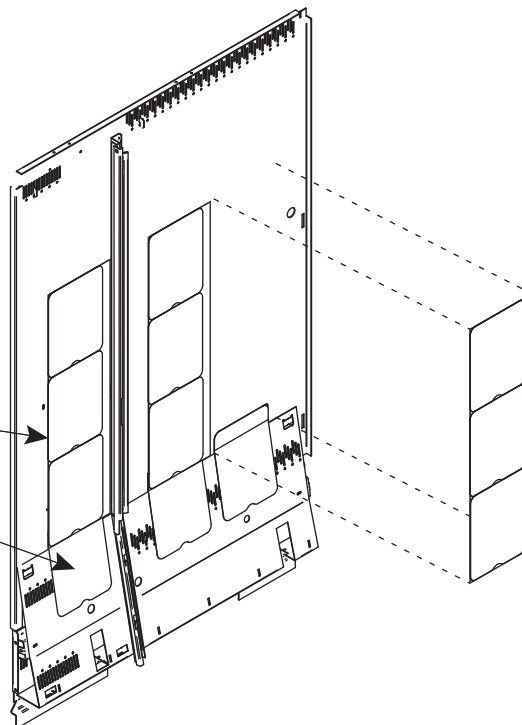
FIGURE 2.

Anti-bridging kit installation in TDV

Install the plates so that the anti-friction sheets of the plate are aligned with the existing column anti-friction sheets, as shown.

Anti-bridging plate

Existing anti-friction sheet



To install the anti-bridging plate, peel the protective strip from the tape on the plate back. Then, affix the plate in the location shown.

**ANY QUESTIONS? CONTACT ROYAL VENDORS' CUSTOMER SERVICE DEPARTMENT
IN NORTH AMERICA, CALL TOLL FREE 1 800 931 9214**