



SERVICE BULLETIN # 00153

201 INDUSTRIAL BOULEVARD • KEARNEYSVILLE, WV 25430

Phone: (304) 728-7056 • Fax: (304) 725-6579 • Toll Free: (800) 931-9214

PAGE: 1 of 1

DATE: 7-16-03

REVISION: 03

SUBJECT: Installation of Can Funnel to Vend Packages Less Than 3" in Diameter (12 oz. Cans)

MODELS: Merlin IV Venders Presently Capable of Vending 1 Litre Packages

KIT NUMBER	KIT DESCRIPTION
256107	Can Funnel / Front Column / 1 Litre / Merlin IV
256108	Can Funnel / Rear Column / 1 Litre / Merlin IV

BEFORE WORKING ON VENDER: Remove power from vender by unplugging vender's main power cord from the AC voltage power source (wall outlet).

**Note: For vending packages that are 2 1/2" or less in diameter (i.e. 16.9 oz water bottles) refer to Service Bulletin #148 or to Product Vending Specifications (PVS).*

Reason for Fix:

This kit will allow you to vend most packages between 3" and 2 1/2" in diameter* (i.e. 12 oz can, 20 oz and 16 oz bottles). (For specific packages, refer to Product Vending Specifications [PVS]).

Instructions:

1. Remove product from any column(s) being converted.

Note: If you are only converting a front column you do not need to empty the rear column.

2. Using the proper can Funnel for the column that you are converting, install the Can Funnel's top tabs into the horizontal slots provided in the vender's Product Funnel and push in and down (see Figure 1 below).
3. Adjust the product retainers and/or backspacers in correct position according to package that you are vending from that column (refer to chart on vender's inner door for correct settings).

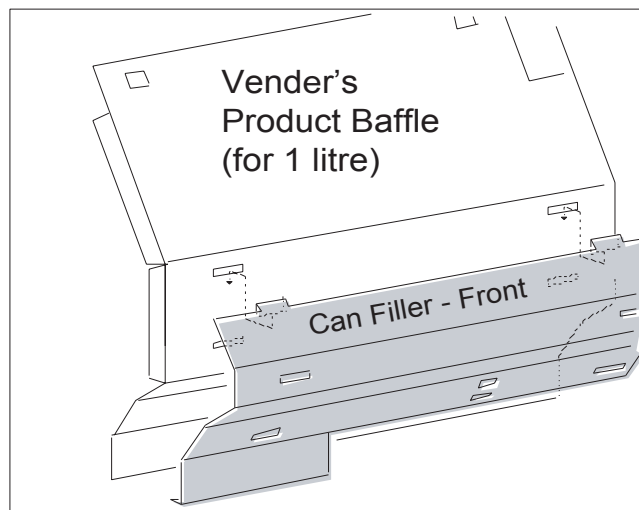


figure 1

**ANY QUESTIONS??? CONTACT ROYAL VENDORS' CUSTOMER SERVICE DEPARTMENT
CALL TOLL FREE (800) 931-9214**