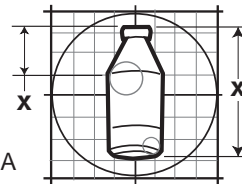




152 Package Vending Specification

426 Industrial Boulevard • Kearneysville WV 25430-2776 • USA
 Telephone: +1 304 728 7056 • Fax: +1 304 725 4016 • www.royalvendors.com



Page: 1 of 1
 Date: 29 Sept 08
 Revision: 00

PRODUCT NAME: Venom
BOTTLER / COMPANY: Dr Pepper / Seven Up, Inc.
VOLUME: 16.9 oz. / 500 mL
PACKAGE TYPE: Aluminum bottle
HEIGHT: 7.68 in. / 194.9 mm
DIAMETER: 2.59 in. / 65.8 mm
WEIGHT: 1.25 lbs. / 0.57 kg
COUNTRY OF ORIGIN: USA

APPROVED VENDERS				
VENDER	RETAINERS		79" CAPACITY	
	Front	Rear	Front	Rear
MIV Airflow*	8	5	24	24
MIV (regular)	9	6	24	24
RVV NG	N/A	N/A	8	N/A

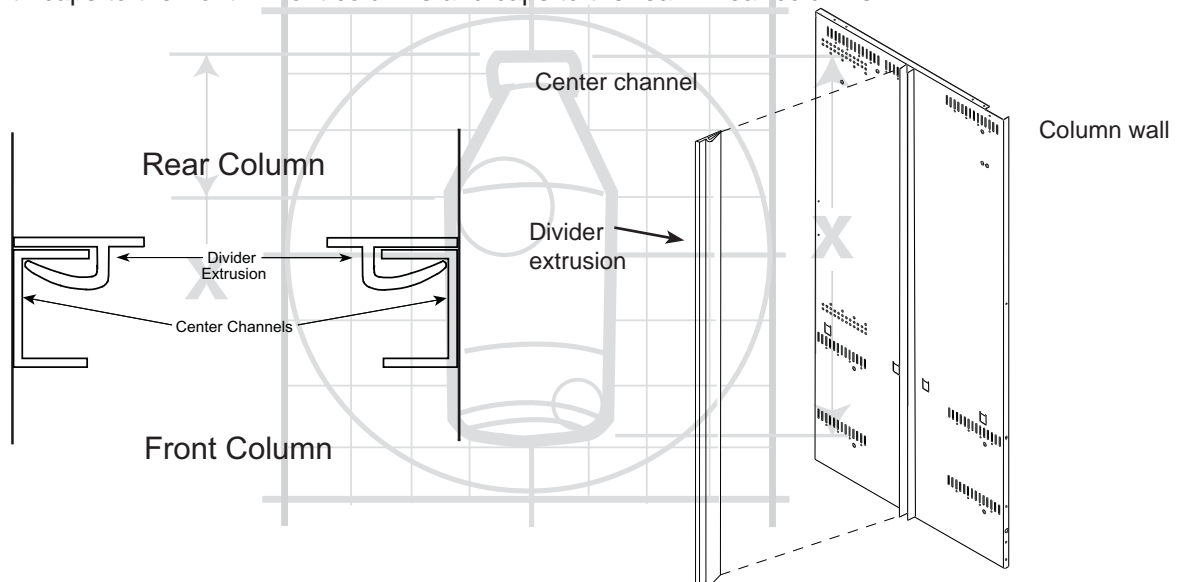
* - Serial number 200422XX00001 and after.

KITS / PARTS: Merlin IV: FRONT COLUMNS: None required. REAR COLUMNS: 815214 Center Channel Divider. RVV NG: None required.

MERLIN IV INSTALLATION INSTRUCTIONS

Note: Before working on vender, always remove power by unplugging the vender's main power cord from the AC voltage source (outlet).

- REAR COLUMNS:** Attach one divider extrusion to each side of the center channel. (See illustration.)
- Load bottles with caps to the front in front columns and caps to the rear in rear columns.



**ANY QUESTIONS? CONTACT ROYAL VENDORS' CUSTOMER SERVICE DEPARTMENT
 IN NORTH AMERICA, CALL TOLL FREE 1 800 931 9214**