



SERVICE BULLETIN # 00152

201 INDUSTRIAL BOULEVARD • KEARNEYSVILLE, WV 25430
 Phone: (304) 728-7056 • Fax: (304) 725-6579 • Toll Free: (800) 931-9214

PAGE: 1 of 3
DATE: 8-21-00
REVISION: 06

SUBJECT: Installation of Product Funnel to vend 1 liter packages

MODELS: All Merlin IV Venders that are not presently capable of vending 1 liter packages

KIT NUMBER	KIT DESCRIPTION (One kit converts one front and adjoining rear column)
256911	Merlin IV 1 liter Kit 79" (Narrow Port)
257140	Merlin IV 1 liter Kit 72" (Narrow Port)
261110	Merlin IV 1 liter Kit 79" (Wide Port)
262110	Merlin IV 1 liter Kit 72" (Wide Port)
PART NUMBER	OPTIONAL PARTS not included in the Kit (For Wide Port Venders)
263101	Anti-Theft Plate for Non-C.D.C.
273104	Anti-Theft Plate for C.D.C.

BEFORE WORKING ON VENDER: Remove power from vender by unplugging vender's main power cord from the AC voltage power source (wall outlet).

INSTRUCTIONS:

1. REMOVAL OF EXISTING PRODUCT FUNNEL.

- A. Remove product from both front and rear columns.
- B. *Remove the screw that is retaining the Funnel (*lower front of column wall*).
- C. Remove Left Front Product Retainer.
- D. Remove the center Funnel Angle.
 1. Squeeze the top of the Funnel Angle and pull upwards.
- E. Remove Rear Product Backspacer.
- F. Peel off the Anti-Friction Sheets. (*See Figure 2*)
- G. Pull out and up on the bottom of the Product Funnel to remove.

2. INSTALLATION OF 1 LITER PRODUCT FUNNEL.

- A. Remove the Case Support. (*See Figure 2*)
 1. Remove both screws from the case support, then pull completely out (*some models may have Hitch Pin Clips*).
- B. Then start with the rear column top tabs in the horizontal slots provided in the column wall. (*The same slots that the old baffle used.*)
- C. Place the funnel tabs in horizontal slots provided in the column wall. (*The same slots that the old baffle used.*)
- D. Push inward and downward to seat new Funnel.
 1. Make sure that the support slot from the Product Funnel align with the front and rear mechanism plate tabs.
- E. Reposition the rear Product Backspacer.
 1. For vending 1 liter packages move rear Backspacer to the last possible position in the rear (*#1 slot*).
- F. Install the new Anti-Friction Sheets in the same location as the previous Anti-Friction Sheets.
- G. Install the new Funnel Angle (*See Figure 2*)
 1. Make sure that the top of the Funnel Angle is seated inside the center support channel and that it is pushed downward as far as possible.
- H. Reposition Product Retainers.
 1. For vending 1 liter packages in the front and rear columns adjust both the left and right product retainers according to package type. *In the rear column the Anti-Friction Sheet covers the first few slots, therefore you may have to cut through the area covering the slot in order to insert the tab of the left product retainer (from the kit).*
- I. Tighten the screw in the column wall to secure the new Funnel. (*see figure 3*)
- J. Load your product with "Caps Forward" (*see figure 1*)

3. REPLACE THE EXISTING ANTI-THEFT PLATE (Wide Port Venders Only)

- A. Insert tab of the Anti-Theft Plate into the slot before fastening with bolt and nut. (Refer to figures 5 & 6)
 1. For Center Door Changers, the Coin Cup fits through Anti-Theft Plate.

- NOTES:**
1. *Some models may not have a screw.
 2. To vend packages less than 3" diameter (12 oz. cans) with the 1 liter product funnel. Install a Can Funnel in the **Front Column (256107)** or **Rear Column (256108)**.

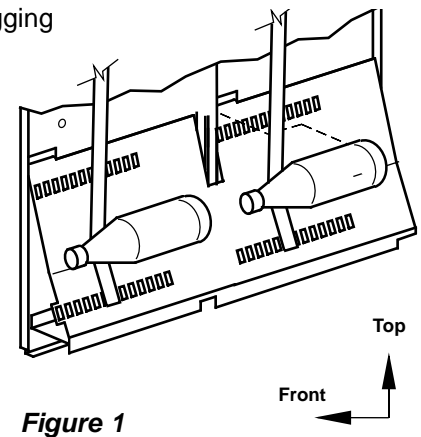


Figure 1

**ANY QUESTIONS??? CONTACT ROYAL VENDORS' CUSTOMER SERVICE DEPARTMENT
 CALL TOLL FREE (800) 931-9214**



SERVICE BULLETIN # 00152

201 INDUSTRIAL BOULEVARD • KEARNEYSVILLE, WV 25430
 Phone: (304) 728-7056 • Fax: (304) 725-6579 • Toll Free: (800) 931-9214

PAGE: 2 of 3

DATE: 8-21-00

REVISION: 06

Figure 2

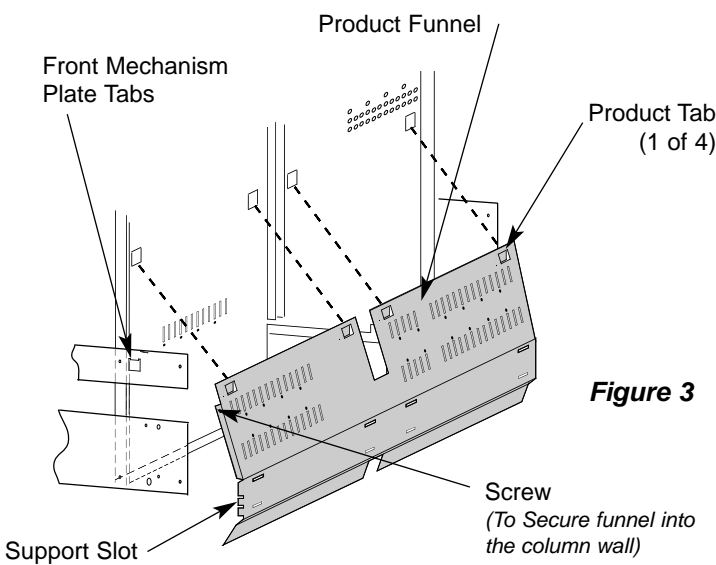
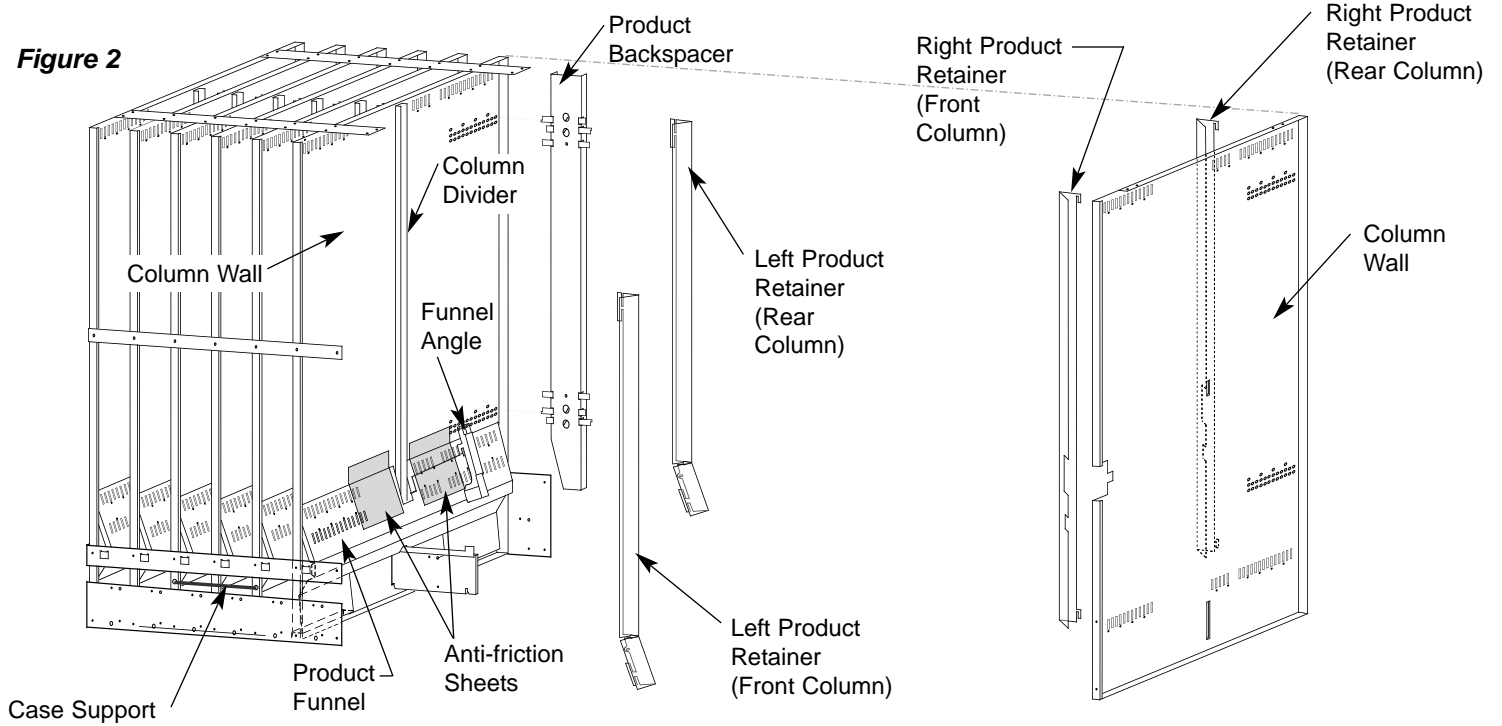


Figure 3

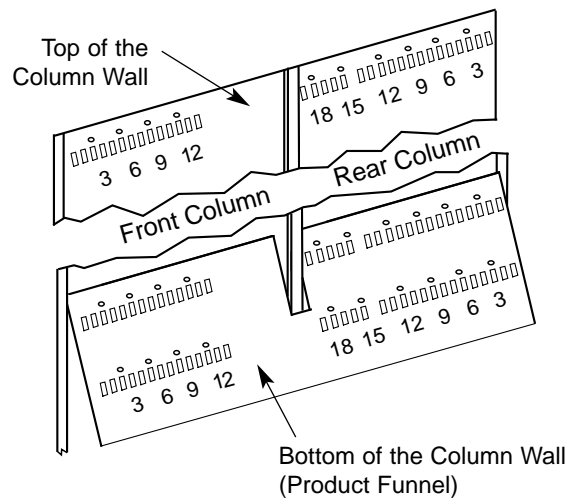


Figure 4

**ANY QUESTIONS??? CONTACT ROYAL VENDORS' CUSTOMER SERVICE DEPARTMENT
 CALL TOLL FREE (800) 931-9214**



SERVICE BULLETIN # 00152

201 INDUSTRIAL BOULEVARD • KEARNEYSVILLE, WV 25430
Phone: (304) 728-7056 • Fax: (304) 725-6579 • Toll Free: (800) 931-9214

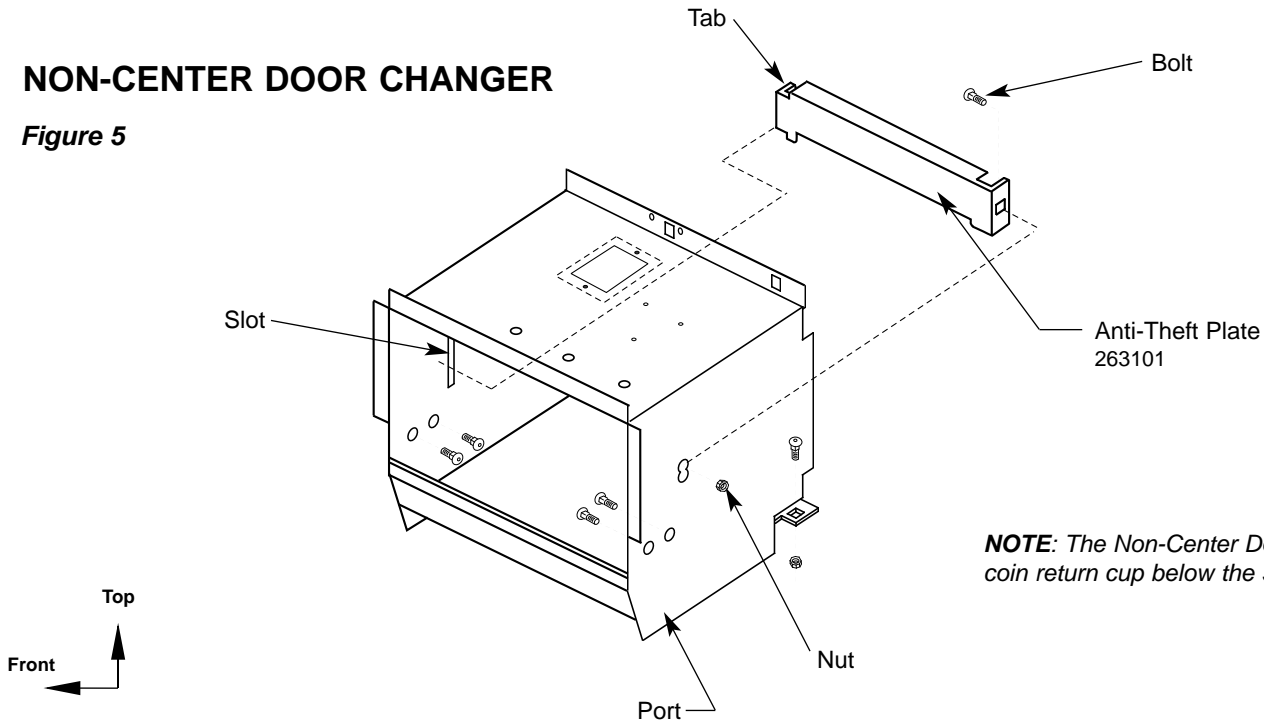
PAGE: 3 of 3

DATE: 8-21-00

REVISION: 06

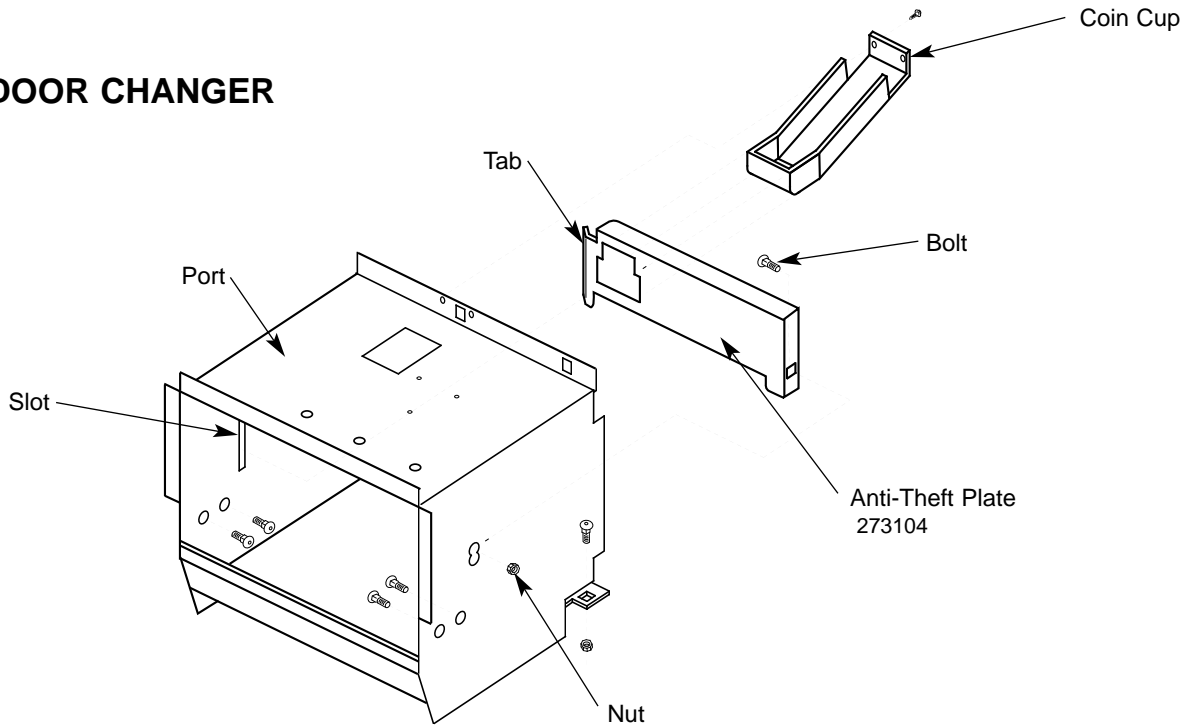
NON-CENTER DOOR CHANGER

Figure 5



CENTER DOOR CHANGER

Figure 6



ANY QUESTIONS??? CONTACT ROYAL VENDORS' CUSTOMER SERVICE DEPARTMENT
CALL TOLL FREE (800) 931-9214