



SERVICE BULLETIN 151

426 Industrial Boulevard • Kearneysville WV 25430-2776 • USA

Telephone: +1 304 728 7056 • Fax: +1 304 725 4016

Toll-Free in North America: 1 800 931 9214 • technicalinquiry@royalvendors.com

Page: 1 of 2

Date: 15 Oct 07

Revision: 03

SUBJECT: Lock Cover Assembly, Dr. Pepper CDC

Number of
People
Required



MODELS: Dr. Pepper Vision IV venders with Center Door Changer


KIT NUMBER **KIT DESCRIPTION**

242010 Lock Cover Assembly, Dr. Pepper CDC

TOOLS REQUIRED: see below

ESTIMATED INSTALLATION TIME: <10 minutes

REASON FOR BULLETIN: Installing a lock cover helps to deter vandalism and prevent thefts.



The following areas of this vender contain voltage which can cause serious injury or even death: the main power cord, supplying 115-230 VAC to the evaporator, EMI filter, and refrigeration system; the power line from the EMI filter to the ballast and transformer; and the ballast, which can produce upwards of 600 volts. Remove power from vender before working in any of these areas.

INSTALLATION INSTRUCTIONS:

1. Remove power by unplugging the vender's power cord from the AC voltage source (wall outlet).
2. Open vender's main door and remove the two nuts securing the vender's coin slot retainer. Flip it over to expose the slot that will be used for the lock cover's latch (p/n 810051) and tighten it down with its existing nuts. See Figure A.
3. You will need to cut a slot in the security plate decal to allow the lock cover's latch to be exposed through the front of the vender's door. Using a utility knife or similar item, cut the two vertical sides of the decal using the slot exposed in step 1 as a guide. See Figure B: Vertical Cuts Detail: cuts "A" and "B". Make sure to cut cleanly, and when finished you will be able to make cuts "C" and "D" from the front of the vender. See Figure B. Using the previous two cuts as a guide, cut the two top / bottom horizontal sections labeled "C" and "D" as shown in Figure B.
4. From inside the vender's main door loosen the two existing keps nuts (7/16") to mount the lock cover's latch through the slot in the security plate and decal. See Figure C.
5. Locate and remove the two carriage bolts / nuts on the right side of the vender's main door directly across from the vendor's T-handle. Mount the lock cover's strike on the exterior right side of the vender's main door and insert the lock plate as shown in figure D.

Note: The lock is not included. Use a lock of your choice that fits properly.

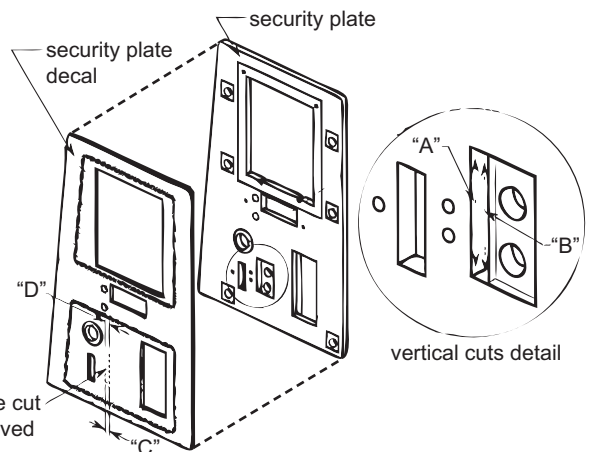


Figure B

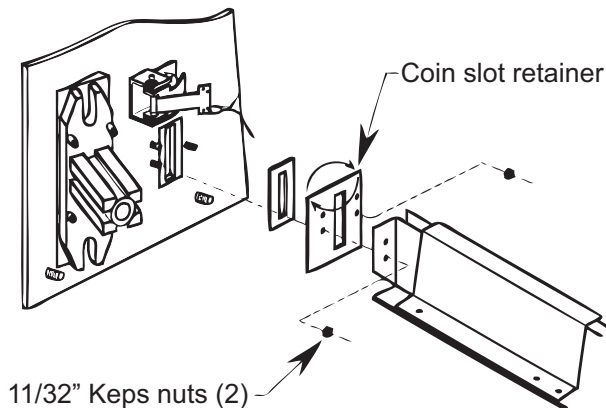


Figure A

Note: The security plate decal is shown separated from the security plate for clarity.

In an effort to provide our customers with the latest information on our equipment, Royal Vendors sends service bulletins to customers using the original ship-to address or e-mail addresses, if supplied by our customers. We also post all service bulletins on our website at www.royalvendors.com. If for any reason a vender is moved to another location or is sold to another customer other than to whom Royal Vendors originally sent the machine, it is the responsibility of the original purchaser of the vender to notify the appropriate personnel of the service bulletin.

**ANY QUESTIONS? CONTACT ROYAL VENDORS' CUSTOMER SERVICE DEPARTMENT
IN NORTH AMERICA, CALL TOLL FREE 1 800 931 9214**



SERVICE BULLETIN 151

426 Industrial Boulevard • Kearneysville WV 25430-2776 • USA
Telephone: +1 304 728 7056 • Fax: +1 304 725 4016
Toll-Free in North America: 1 800 931 9214 • technicalinquiry@royalvendors.com

Page: 2 of 2

Date: 15 Oct 07

Revision: 03

SUBJECT: Lock Cover Assembly, Dr. Pepper CDC

MODELS: Dr. Pepper Vision IV venders with Center Door Changer

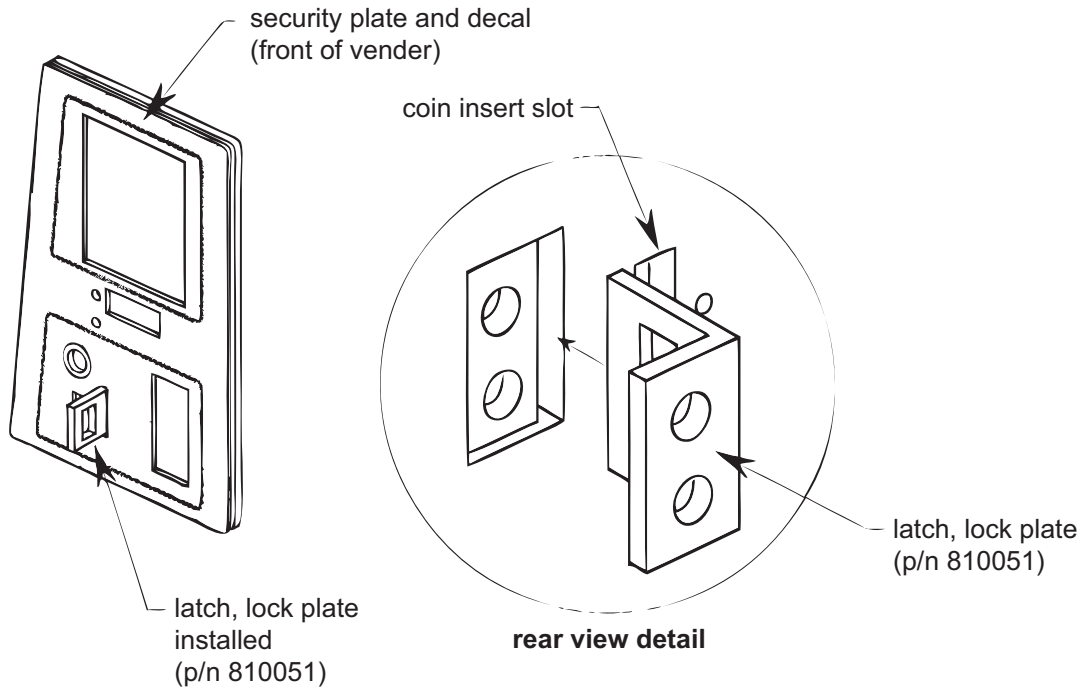


Figure C

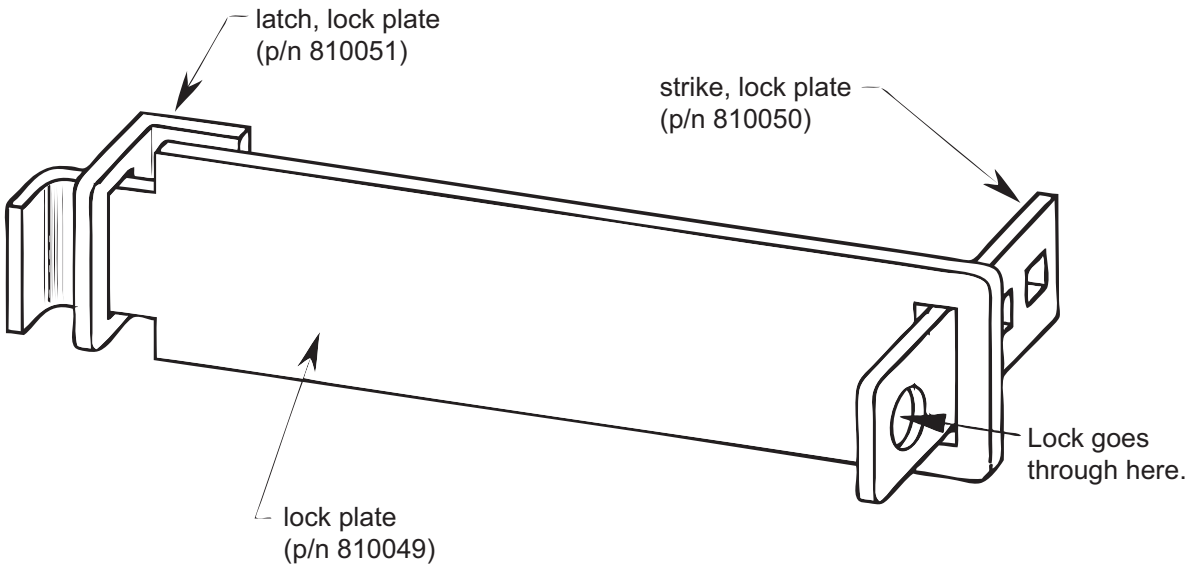


Figure D

**ANY QUESTIONS? CONTACT ROYAL VENDORS' CUSTOMER SERVICE DEPARTMENT
IN NORTH AMERICA, CALL TOLL FREE 1 800 931 9214**