



SERVICE BULLETIN # 00150

201 INDUSTRIAL BOULEVARD • KEARNEYSVILLE, WV 25430

Phone: (304) 728-7056 • Fax: (304) 725-6579 • Toll Free: (800) 931-9214

PAGE: 1 of 1

DATE: 8-21-00

REVISION: 02

SUBJECT: Inner Door Lock Kit, Dr. Pepper (Prior to SN 1420XX-XXXX only)

MODELS: All Dr. Pepper Venders prior to serial number 1420XX-XXXX

KIT NUMBER

KIT DESCRIPTION

242110

Lock Hole Kit, Dr. Pepper Inner Door (for repositioning)

BEFORE WORKING ON VENDER: Remove power from vender by unplugging vender's main power cord from the AC voltage power source (wall outlet).

Instructions:

1. Open vender's main door (this will expose the side of the "Inner Door" that faces the Vend Mechanism).
2. Remove the Black Plastic Bushing that is in the Large Hole for the T-Handle Stud.
3. Using the Lock Hole Location Jig provided in the kit place it over the two existing holes in the inner door metal as shown to the right in figure A. Using a scribe or pencil, scribe out the lower hole in the Jig (figure A).
4. Using a .75 (3/4") Drill Bit, drill the hole that was scribed out in the previous step.
5. Place the Lock Plate (provided in this kit) against the hole that was drilled in step 4. Position the Lock Plate (as shown below in figure B) so that the "flat sides" of the "Lock Plate Hole" are opposite of the flat sides of the existing inner door holes (figure B).
6. Hint: You may want to use tape to hold the Lock Plate in position. Using a .12 (1/8") Drill Bit, use the Lock Plate as a guide and drill the 4 holes in the Inner Door Shell to mount the Lock Plate (be careful not to drill completely through the inner door). Use the four 1/8" pop rivets (provided in kit), position the Lock Plate as described in step 5 and pop rivet it to the inner door shell.
7. Install the Inner Door Lock.

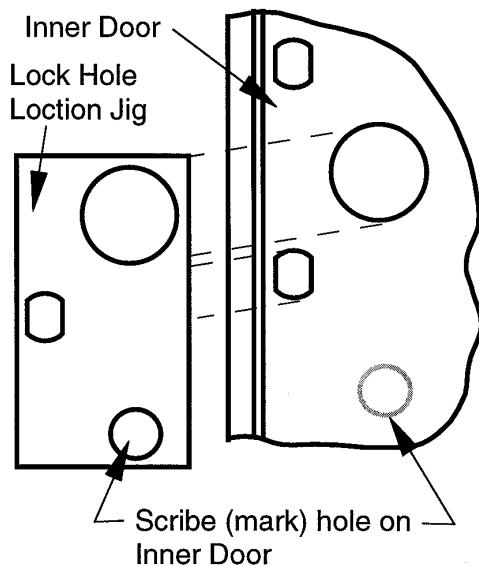


Figure A

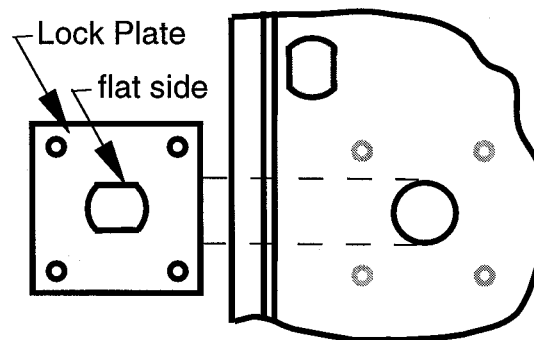


Figure B

ANY QUESTIONS??? CONTACT ROYAL VENDORS' CUSTOMER SERVICE DEPARTMENT
CALL TOLL FREE (800) 931-9214