



SERVICE BULLETIN # 00014

201 INDUSTRIAL BOULEVARD • KEARNEYSVILLE, WV 25430

Phone: (304) 728-7056 • Fax: (304) 725-6579 • Toll Free: (800) 931-9214

PAGE: 1 of 1

DATE: 8-16-00

REVISION: 02

SUBJECT: Can Shim / Can Spacer for 6 oz. Cans (**Narrow Column**)

MODELS: All Triple Depth: Electro-Mechanical, Merlin 2000, Merlin III

KIT NUMBER

KIT DESCRIPTION

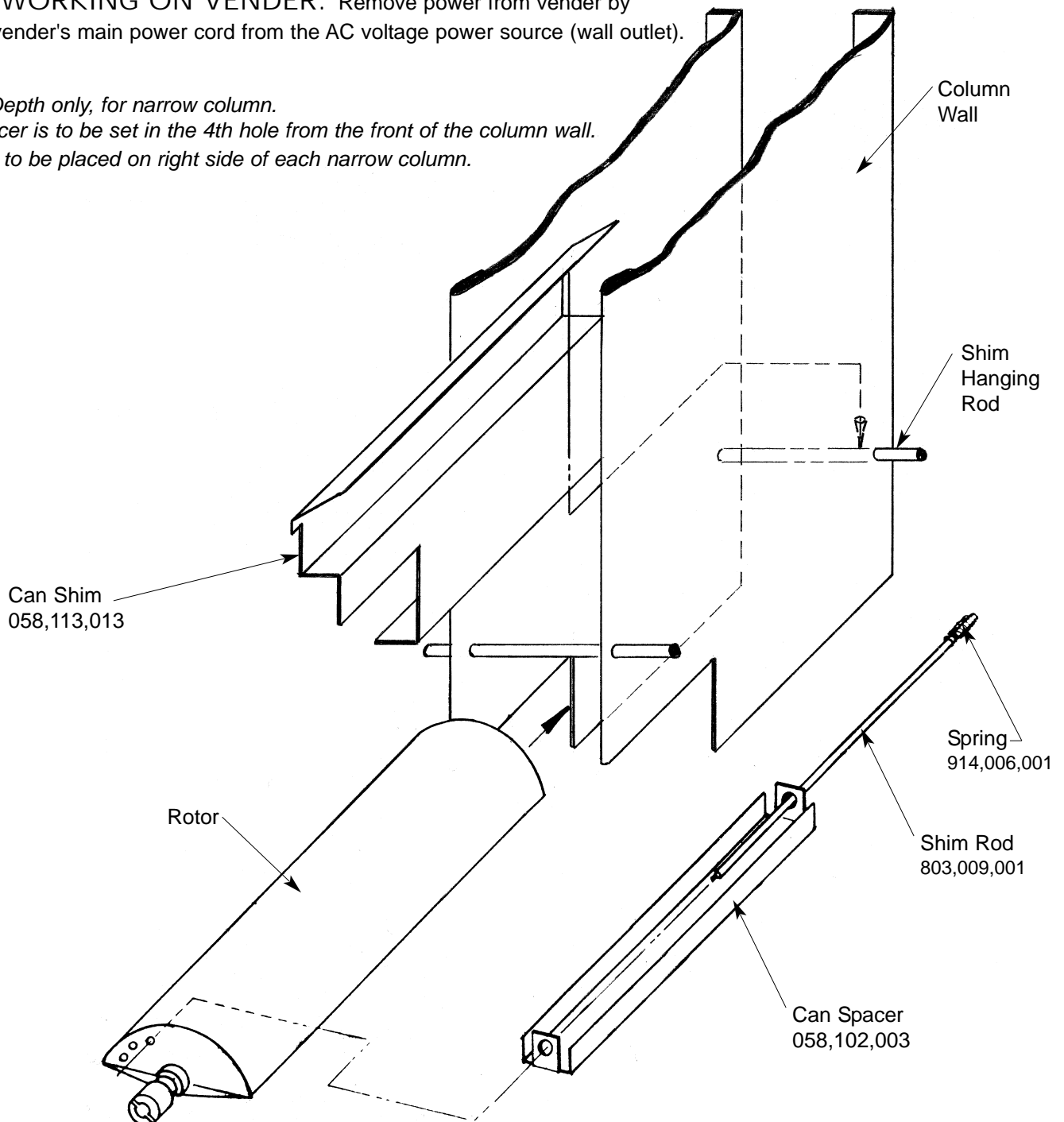
058130

6 oz. Can Shim / Spacer Installation Kit (1 kit per narrow column)

BEFORE WORKING ON VENDER: Remove power from vender by unplugging vender's main power cord from the AC voltage power source (wall outlet).

Notes:

1. Double- Depth only, for narrow column.
2. Rear Spacer is to be set in the 4th hole from the front of the column wall.
3. Can shim to be placed on right side of each narrow column.



**ANY QUESTIONS??? CONTACT ROYAL VENDORS' CUSTOMER SERVICE DEPARTMENT
CALL TOLL FREE (800) 931-9214**