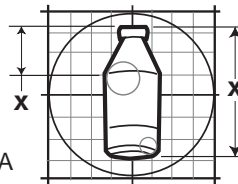




147 Package Vending Specification



Page: 1 of 1

Date: 5 Mar 08

Revision: 00

426 Industrial Boulevard • Kearneysville WV 25430-2776 • USA
 Telephone: +1 304 728 7056 • Fax: +1 304 725 4016 • www.royalvendors.com

PRODUCT NAME: V8
BOTTLER / COMPANY: Campbell Soup Company
VOLUME: 12 oz. / 354 mL
PACKAGE TYPE: PET
HEIGHT: 6.58 in. / 167.2 mm
DIAMETER: 2.56 in. / 65.0 mm
WEIGHT: 0.85 lbs. / 0.39 kg
COUNTRY OF ORIGIN: USA

VENDER	RETAINERS		79" CAPACITY	
	Front	Rear	Front	Rear
GIII	11	7	32	32
TDV	12	20	32	64
RVV NG	N/A	N/A	8	N/A



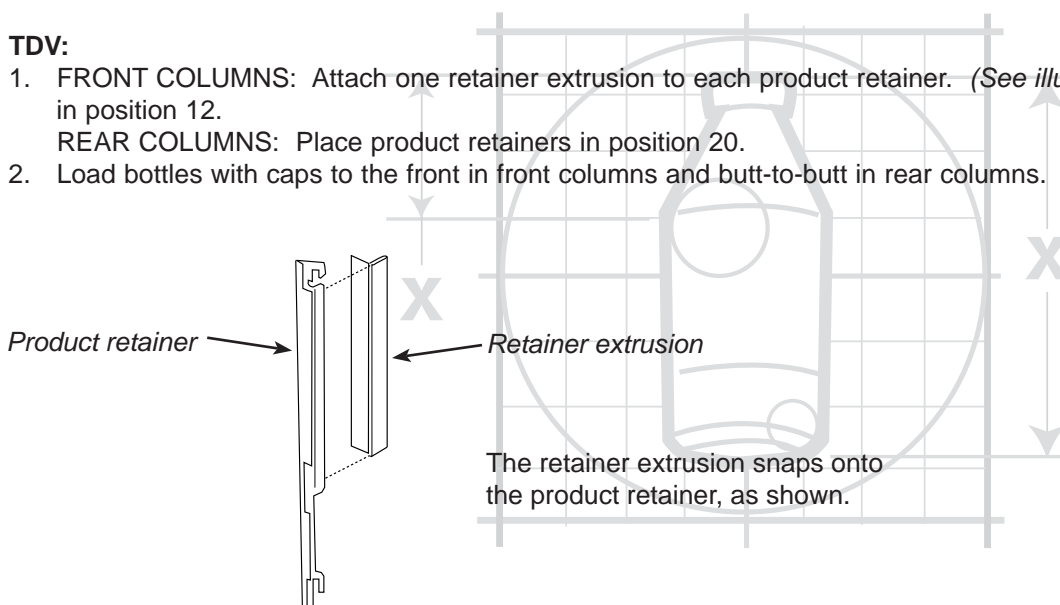
KITS / PARTS: **GIII:** FRONT COLUMNS: Product Retainer Extrusion (79": 815256; 72": 815255); REAR COLUMNS: None required. **TDV:** FRONT COLUMNS: Product Retainer Extrusion (79": 815256; 72": 815255). REAR COLUMNS: None required. **RVV NG:** None required.

INSTALLATION INSTRUCTIONS

Note: Before working on vender, always remove power by unplugging the vender's main power cord from the AC voltage source (outlet).

- GIII:**
- FRONT COLUMNS: Attach one retainer extrusion to each product retainer. (See illustration.) Install product retainers in position 11.
 REAR COLUMNS: Place the backspacer assembly in position 7.
 - Set product stops to small package position.
 - Load bottles with caps to the front in front columns and caps to the rear in rear columns.

- TDV:**
- FRONT COLUMNS: Attach one retainer extrusion to each product retainer. (See illustration.) Install product retainers in position 12.
 REAR COLUMNS: Place product retainers in position 20.
 - Load bottles with caps to the front in front columns and butt-to-butt in rear columns.



**ANY QUESTIONS? CONTACT ROYAL VENDORS' CUSTOMER SERVICE DEPARTMENT
 IN NORTH AMERICA, CALL TOLL FREE 1 800 931 9214**