



SERVICE BULLETIN # 00147

201 INDUSTRIAL BOULEVARD • KEARNEYSVILLE, WV 25430
 Phone: (304) 728-7056 • Fax: (304) 725-6579 • Toll Free: (800) 931-9214

PAGE: 1 of 3

DATE: 4-4-03

REVISION: 05

SUBJECT: Chain Guard Installation

MODELS: GIII Venders

of People
Required



KIT NUMBER	KIT DESCRIPTION
210180	Chain Guard Kit, GIII Wide, prior to 1504
281110	Chain Guard Kit, GIII Wide, 1504 and after
286110	Chain Guard Kit, GIII Narrow, 1504 and after

TOOLS REQUIRED: Phillips screwdriver, 5/16" socket

ESTIMATED INSTALLATION TIME: 10-15 minutes

BEFORE WORKING ON VENDER: Remove power from vender by unplugging vender's main power cord from the AC voltage power source (wall outlet).

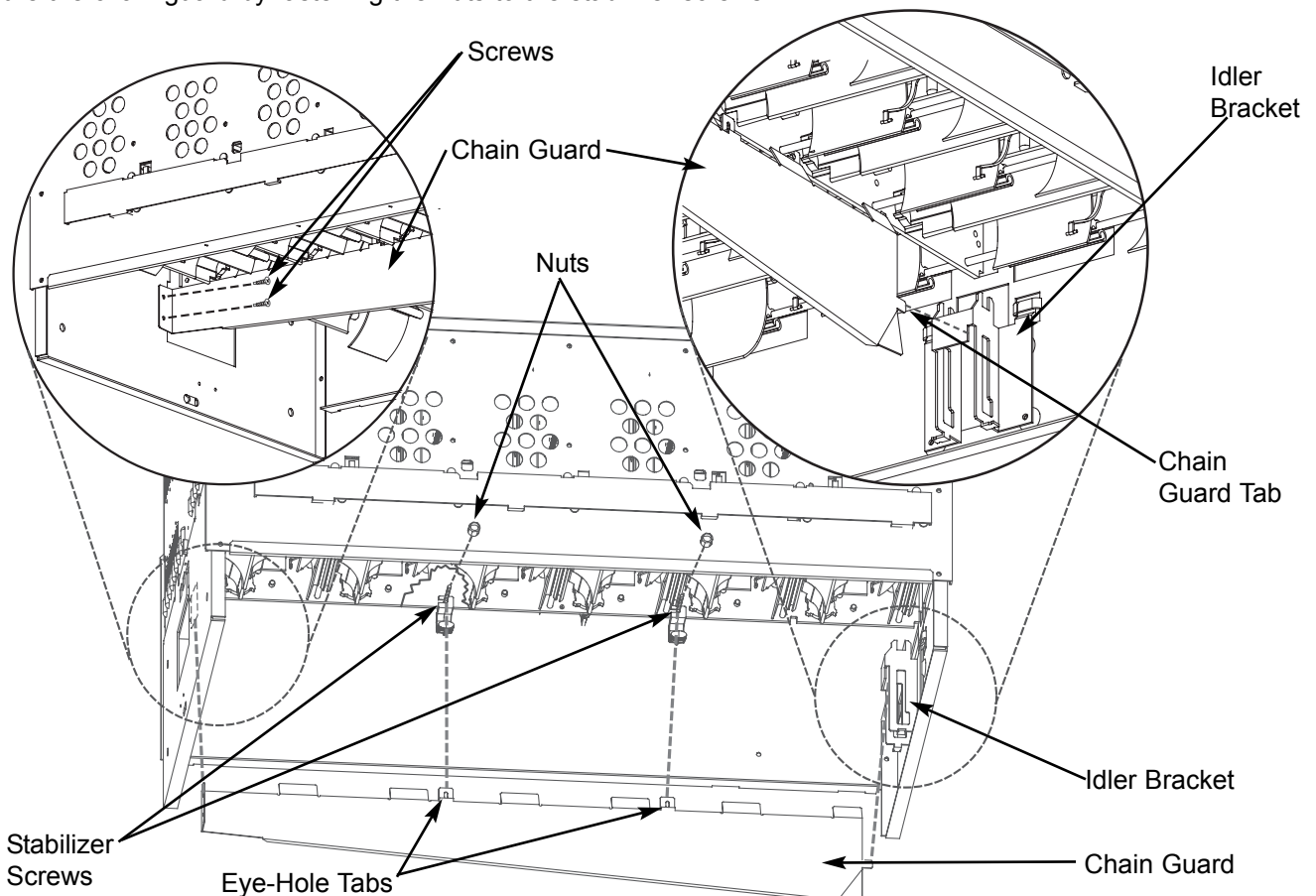
Reason for Fix: To prevent vandalism / product theft by hooking on chain or release levers.

P.O. 1504 and after:

Instructions: Caution: Chain Guard may have sharp edges.

1. Insert tab of the chain guard into the slot of the idler bracket.
2. Place each eyehole tab onto its corresponding stabilizer screw.
3. With the two screws from the kit, fasten the left side of the chain guard to the pre-drilled holes.
4. Finally, secure the chain guard by fastening the nuts to the stabilizer screws.

Figure 1



**ANY QUESTIONS??? CONTACT ROYAL VENDORS' CUSTOMER SERVICE DEPARTMENT
 CALL TOLL FREE (800) 931-9214**



SERVICE BULLETIN # 00147

201 INDUSTRIAL BOULEVARD • KEARNEYSVILLE, WV 25430

Phone: (304) 728-7056 • Fax: (304) 725-6579 • Toll Free: (800) 931-9214

PAGE: 2 of 3

DATE: 4-4-03

REVISION: 05

SUBJECT: Chain Guard Installation

MODELS: GIII Venders

Prior to P.O. 1504:

Instructions:

REMOVE PRODUCT

1. Remove the product from columns 2, 6, 8 and 12.

BEND TABS

2. Two tabs must be bent approximately 90° into the part. Tabs are located next to the flanges at the top of the chain guard. (fig. 3)

INSTALL SPACERS

3. Lift the product retaining clip for columns (2 & 8) and (6 & 12). (See fig. 5)
4. Pull the lower adjustment rods out to the point where the both rods are inside the adjustable product stops for both columns (both 2 & 6). (See fig. 5)
5. Place the two provided spacers (one for each of the two columns) between the adjustable product stops and the center support. Reinsert both rods back into their original positions making sure that the rod goes through the newly installed spacers. Remember to set adjustable product stops in rear columns back to their desired positions. Slide the product retaining clip down over rod ends.

CHAIN GUARD INSTALLATION

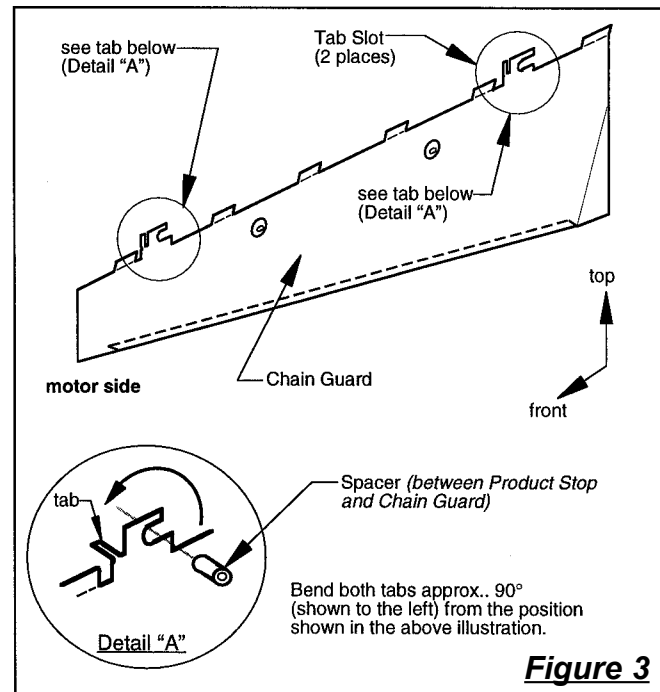
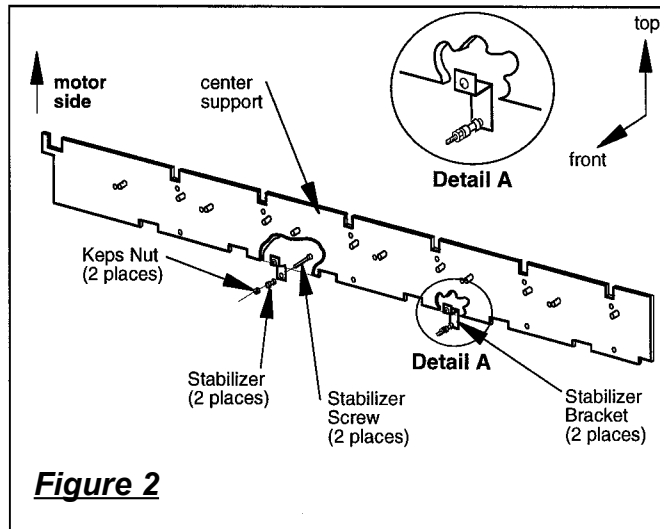
6. The chain guard installs with the larger end to the right and the bottom flange toward the rear of the machine. Slide the chain guard's Tab Slots onto the product rods between the the newly placed spacers and the center support. Then attach the Chain Guard (fig 4) to the protruding screws and fasten with the nuts from the kit.

CHECK ASSEMBLY / TEST VEND

7. Check assembly and test vend from all columns. Make sure the chain assembly does not hang on the edges of the chain guard during operation.
8. Reload Product.

Notes: For GIII venders built prior to run 1469:

1. Replace both stabilizers (p/n 815068).
2. Turn both screws around, so that the head of the screw backs the center support. (See fig. 2)



**ANY QUESTIONS??? CONTACT ROYAL VENDORS' CUSTOMER SERVICE DEPARTMENT
CALL TOLL FREE (800) 931-9214**



SERVICE BULLETIN # 00147

201 INDUSTRIAL BOULEVARD • KEARNEYSVILLE, WV 25430
Phone: (304) 728-7056 • Fax: (304) 725-6579 • Toll Free: (800) 931-9214

PAGE: 3 of 3
DATE: 4-4-03
REVISION: 05

SUBJECT: Chain Guard Installation

MODELS: GIII Venders

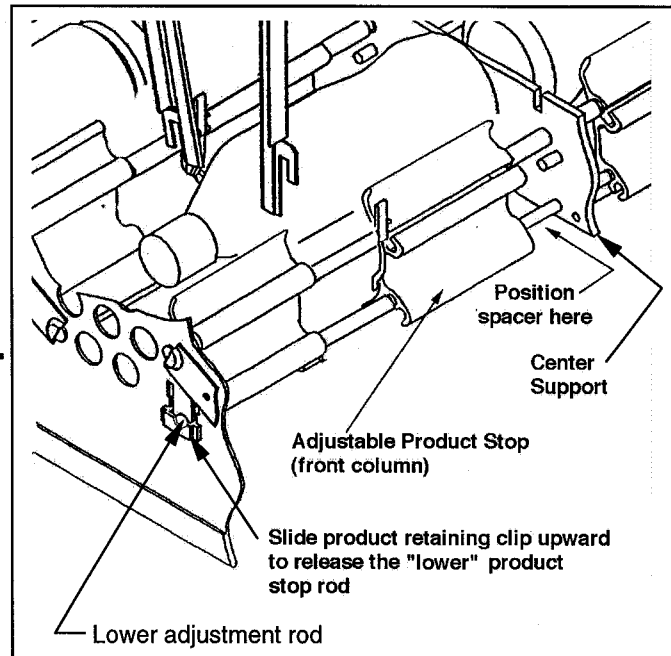
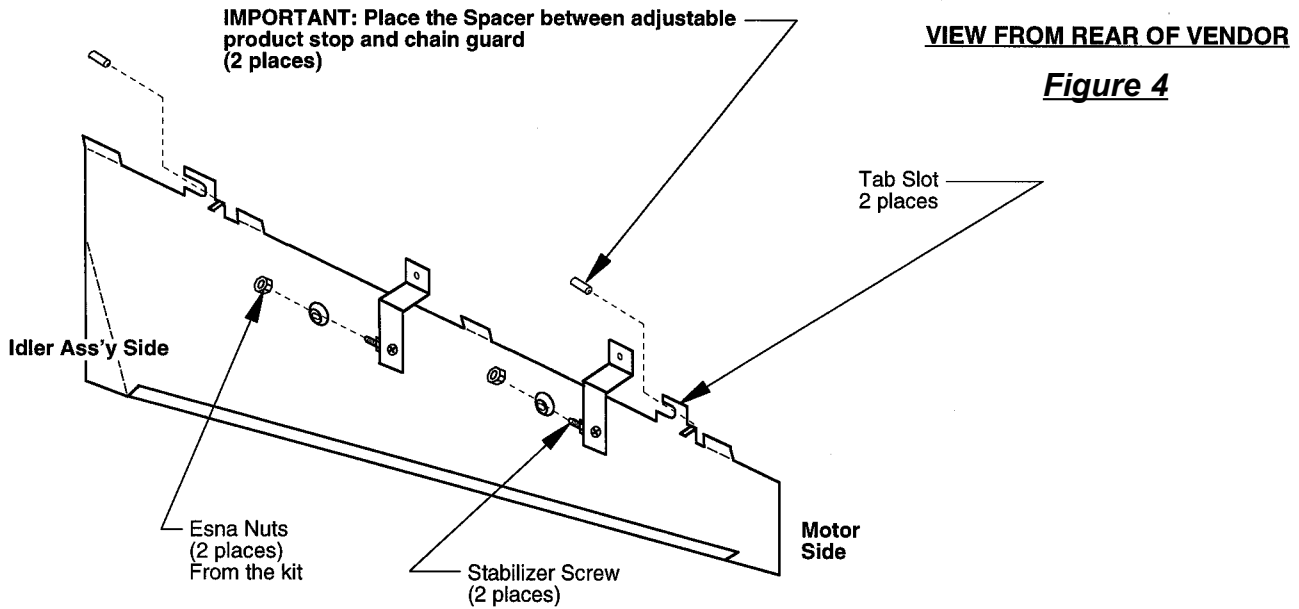


Figure 5

INCLUDED IN KIT:

- (1) Chain Guard
- (2) Spacers
- (3) Esna Nuts

**ANY QUESTIONS??? CONTACT ROYAL VENDORS' CUSTOMER SERVICE DEPARTMENT
CALL TOLL FREE (800) 931-9214**