



SERVICE BULLETIN # 00146

201 INDUSTRIAL BOULEVARD • KEARNEYSVILLE, WV 25430

Phone: (304) 728-7056 • Fax: (304) 725-6579 • Toll Free: (800) 931-9214

PAGE: 1 of 1

DATE: 8-21-00

REVISION: 03

SUBJECT: Extrusions to Vend 20 oz Dr. Pepper "Proprietary" Bottle

MODELS: GIII Venders

KIT NUMBER	KIT DESCRIPTION
231010	79" Extrusion Kit, Dr. Pepper 20 oz Proprietary Bottle
232010	72" Extrusion Kit, Dr. Pepper 20 oz Proprietary Bottle

BEFORE WORKING ON VENDER: Remove power from vender by unplugging vender's main power cord from the AC voltage power source (wall outlet).

IMPORTANT NOTE: These kits are only intended for use in columns which are vending the 20 oz Dr. Pepper "Proprietary" Bottles.

Reason for Fix:

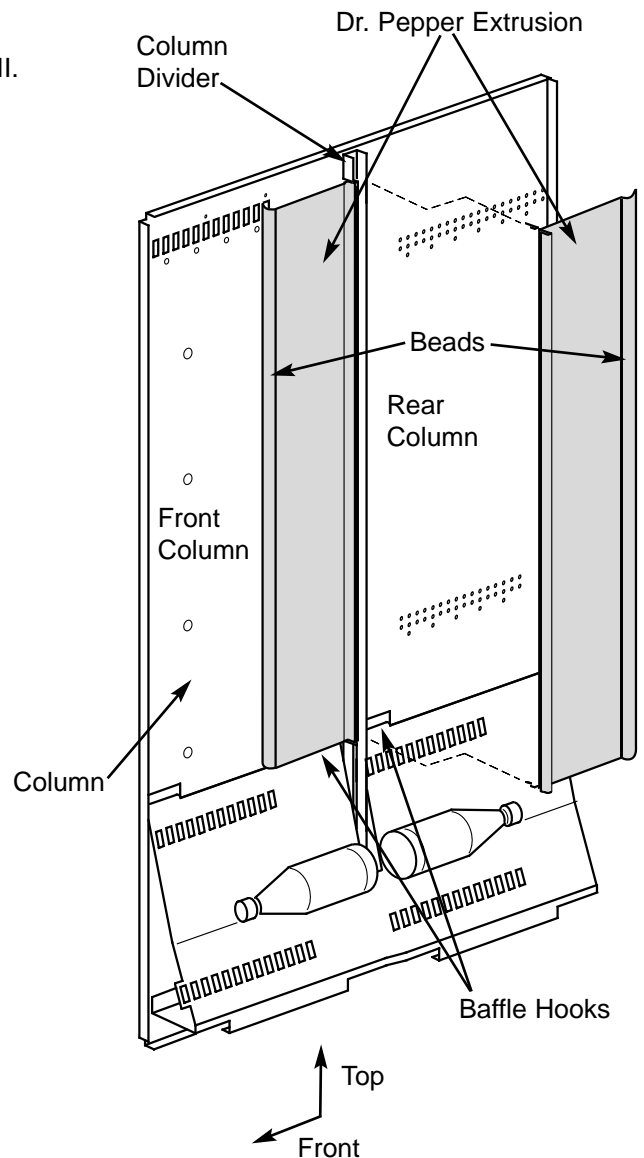
To reliably vend the 20 oz. Dr. Pepper proprietary bottle from the GIII.

Instructions:

1. Unload the column to just below the baffle.
2. Place the extrusion against the column wall with the "bead" to the center of the column as shown in the illustration.
3. Align the bottom of the extrusion with the top of the baffle hooks. On the right column wall, use the protruding baffle hooks or baffle hook slots for alignment.
4. Press the extrusion's "channel" onto the divider wall. Ensure that the extrusion is seated flat against the column divider along the entire length of the extrusion.
5. Install the second extrusion on the opposite side of the column wall. Install this extrusion in the same manner as before by using steps 1 through 4 above. (this extrusion is not shown in illustration for clarity.)
6. Place the Front Retainers in position #8 if vending from the front columns and the Rear Spacers in position #3 if vending from the rear.

Notes:

1. For improved reliability, packages should be loaded and "packed" such that they are approximately horizontal.
2. The extrusions are common for all columns
3. Each column requires two opposing extrusions
4. Load bottles with "caps out" as illustrated.



**ANY QUESTIONS??? CONTACT ROYAL VENDORS' CUSTOMER SERVICE DEPARTMENT
CALL TOLL FREE (800) 931-9214**