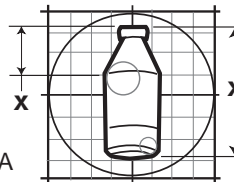




# 143 Package Vending Specification

426 Industrial Boulevard • Kearneysville WV 25430-2776 • USA  
 Telephone: +1 304 728 7056 • Fax: +1 304 725 4016 • www.royalvendors.com



Page: 1 of 1

Date: 12 Dec 07

Revision: 00

**PRODUCT NAME:** 12 oz Glaceau Vitamin Water  
**BOTTLER / COMPANY:** Glaceau  
**VOLUME:** 12 oz. / 355 mL  
**PACKAGE TYPE:** PET  
**HEIGHT:** 6.47 in / 164.2 mm  
**DIAMETER:** 2.48 in / 62.9 mm  
**WEIGHT:** 0.90 lbs / 0.41 kg  
**COUNTRY OF ORIGIN:** USA

### APPROVED VENDERS

VENDER	RETAINERS		79" CAPACITY	
	Front	Rear	Front	Rear
GIII	11	7	34	34
TDV	12	21	32	68
RVV NG	N/A	N/A	8	N/A

**KITS / PARTS:** Front columns, GIII Model 804 and TDV: 296024 Vitamin Water 12 oz Bottle Kit 79" Front. Front columns, GIII Models 660 and 550: 297024 Vitamin Water 12 oz Bottle Kit 72" Front. Rear columns, GIII and TDV: No kits or parts required. RVV NG: No kits or parts required.



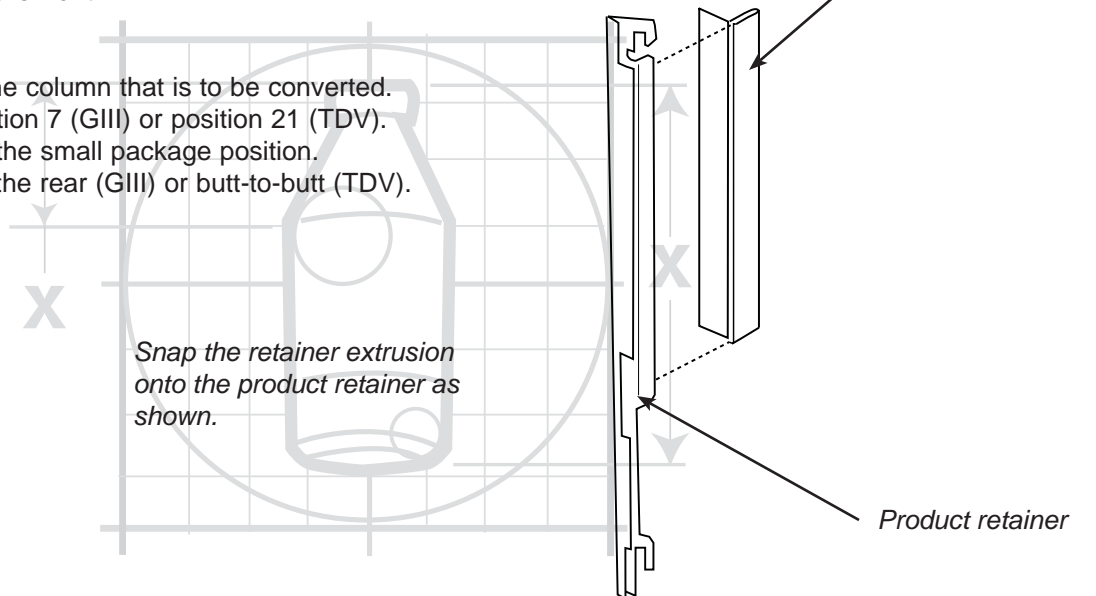
### GIII AND TDV INSTALLATION AND LOADING INSTRUCTIONS:

#### FRONT COLUMNS:

1. Remove all product from the column that is to be converted.
2. Remove both product retainers from the column.
3. Attach one retainer extrusion (from kit) to each product retainer, as shown in the illustration.
4. Install the retainers in position 11 (GIII) or position 12 (TDV).
5. **GIII:** Set product stops to the small package position.
6. Load product with caps to the front.

#### REAR COLUMNS:

1. Remove all product from the column that is to be converted.
2. Set the rear spacer to position 7 (GIII) or position 21 (TDV).
3. **GIII:** Set product stops to the small package position.
4. Load product with caps to the rear (GIII) or butt-to-butt (TDV).



**ANY QUESTIONS? CONTACT ROYAL VENDORS' CUSTOMER SERVICE DEPARTMENT IN NORTH AMERICA, CALL TOLL FREE 1 800 931 9214**