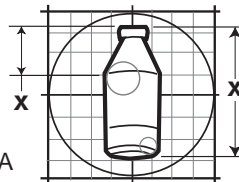




# 141

# Package Vending Specification



Page: 1 of 1

Date: 26 Oct 07

Revision: 00

426 Industrial Boulevard • Kearneysville WV 25430-2776 • USA  
 Telephone: +1 304 728 7056 • Fax: +1 304 725 4016

**PRODUCT NAME:** Caribou Coffee  
**BOTTLER / COMPANY:** The Coca-Cola Company  
**VOLUME:** 12 oz. / 355 mL  
**PACKAGE TYPE:** Can with lid  
**HEIGHT:** 6.30 in. / 159.9 mm  
**DIAMETER:** 2.59 in. / 65.7 mm  
**WEIGHT:** 0.85 lbs. / 0.39 kg  
**COUNTRY OF ORIGIN:** USA

### APPROVED VENDERS

VENDER	RETAINERS		79" CAPACITY	
	Front	Rear	Front	Rear
GIII	12	7	31	31
TDV	12	21	31	60
RVV NG	N/A	N/A	8	N/A



**KITS / PARTS:** No kits or parts required.

### LOADING INSTRUCTIONS

**GIII:**

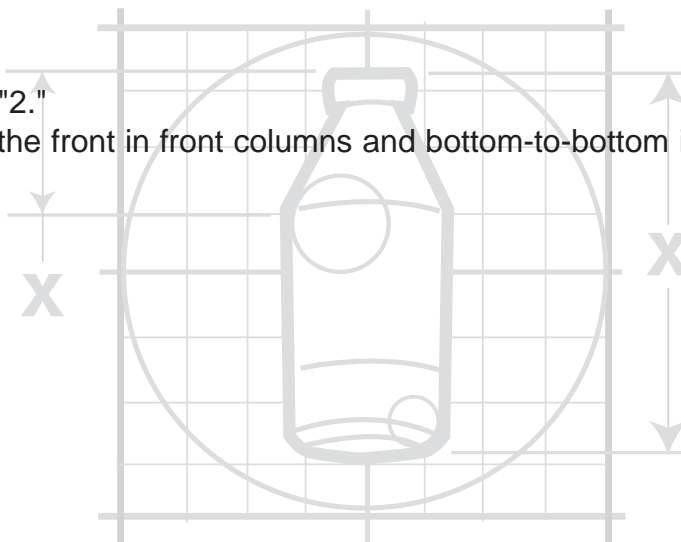
1. Place product stops in the large-package position.
2. Set selection depth to "1."
3. Load cans with lids to the front in front columns and lids to the rear in rear columns.

**TDV:**

1. Set selection depth to "2."
2. Load cans with lids to the front in front columns and bottom-to-bottom in rear columns.

**RVV NG:**

*No special instructions.*



**ANY QUESTIONS? CONTACT ROYAL VENDORS' CUSTOMER SERVICE DEPARTMENT  
 IN NORTH AMERICA, CALL TOLL FREE 1 800 931 9214**