



SERVICE BULLETIN # 00141

201 INDUSTRIAL BOULEVARD • KEARNEYSVILLE, WV 25430

Phone: (304) 728-7056 • Fax: (304) 725-6579 • Toll Free: (800) 931-9214

PAGE: 1 of 2

DATE: 6-19-02

REVISION: 03

SUBJECT: Fuse Box Assembly (Transformer)

MODELS: GII and GIII Venders

KIT NUMBER	KIT DESCRIPTION
095114	Fuse Box Assembly (With Leads for GII models)
095115	Fuse Box Assembly (Without Leads for GIII models)



The following areas of this vender contain voltage, which can cause serious injury or even death. The main power cord, supplying 110 VAC to the evaporator, EMI filter, and refrigeration system. The power line from the EMI filter to the ballast and transformer. The ballast can produce upwards of 600 volts. Remove power from vender before working in any of these areas.

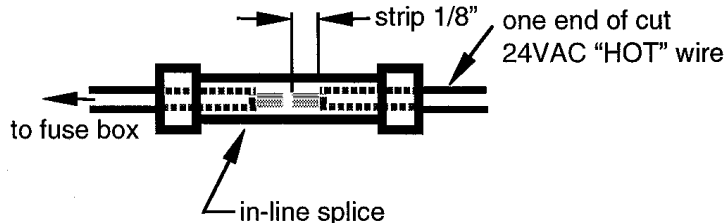
Reason For Fix:

It is important to have a fuse in the secondary circuit to protect the control board in the event of a shorted 24 volt item (changer, validator, vend motor)

Instructions:

FUSE BOX ASSEMBLY WITH LEADS (095114)

1. Remove power to vender (or door) to prevent electrical shock.
2. Locate the 24VAC "HOT" wire from the transformer to the control board (plugs into position #1, next to key).
3. Find a suitable place for locating the "Fuse Box Mount" bracket (P/N 099538) shown in illustration on the following page.
Note: It is advised that the bracket be mounted in a position that is suitable to the length of wiring and to the opening of the fuse box.
4. Scribe the two holes to mount the fuse box. Using a 1/8" drill bit drill the two holes.
5. Using the two #8-32 sems screws (P/N 901,011,021) attach the "Fuse Box Mount".
6. Cut the 24VAC "HOT" wire found in step #2 in a convenient location located near to the "Fuse Box Mount". Strip each end of the 24VAC "HOT" wire at the location of the cut.
7. Use the harness attached to the fuse box and crimp one of the two wires (with the provided "In-Line Splice") to one end of the "cut" wire. Shown below. Connect and crimp the other "fuse box wire" to the other end of the "cut" wire.
8. Restore power (Vend from a selection, this will acknowledge 24VAC power to motors).



**ANY QUESTIONS??? CONTACT ROYAL VENDORS' CUSTOMER SERVICE DEPARTMENT
CALL TOLL FREE (800) 931-9214**



SERVICE BULLETIN # 00141

201 INDUSTRIAL BOULEVARD • KEARNEYSVILLE, WV 25430
Phone: (304) 728-7056 • Fax: (304) 725-6579 • Toll Free: (800) 931-9214

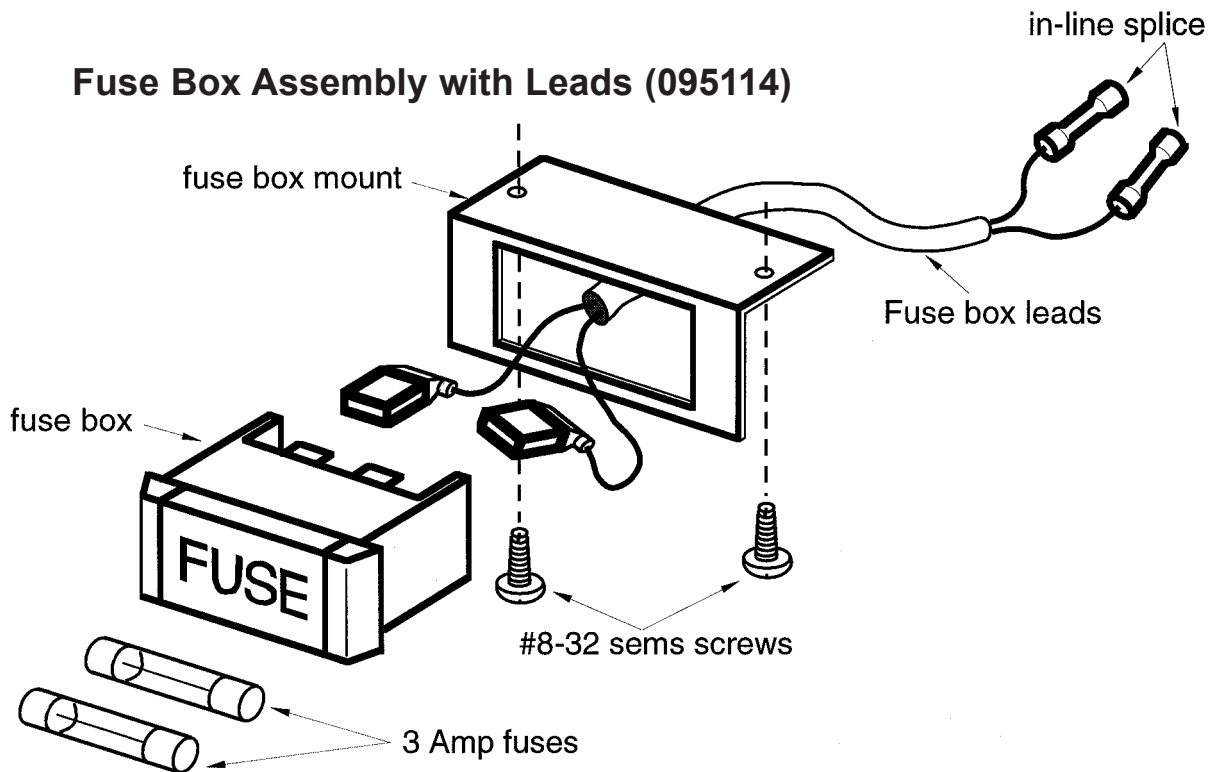
PAGE: 2 of 2

DATE: 6-19-02

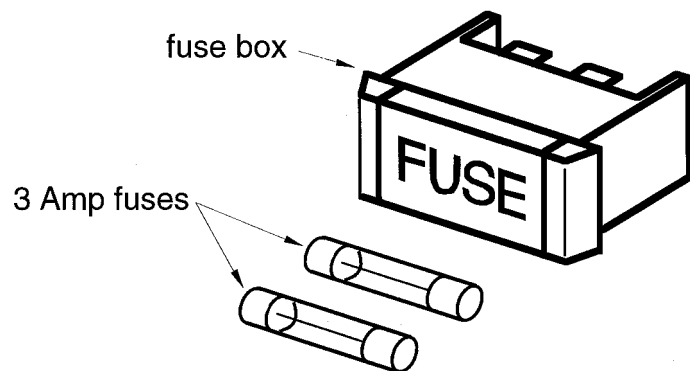
REVISION: 03

SUBJECT: Fuse Box Assembly (Transformer)

MODELS: GII and GIII Venders



Fuse Box Assembly (095115)



**ANY QUESTIONS??? CONTACT ROYAL VENDORS' CUSTOMER SERVICE DEPARTMENT
CALL TOLL FREE (800) 931-9214**