



# Helpful Hints 0013

clear & easy

201 INDUSTRIAL BOULEVARD • KEARNEYSVILLE, WV 25430  
Phone: (304) 728-7056 • Fax: (304) 725-6579 • Toll Free: (800) 931-9214

PAGE: 1 of 1
DATE: 5-18-00
REVISION: 00

**SUBJECT:** Vender Spacing for Rod Removal

**MODELS:** GIII

### Recommendation:

We recommend spacing venders 14.5 inches apart to access the rod in the last column (top door hinge side).

See Figure 1

If the space between venders is tight (2 inches), the vender could be carefully moved out 4.5 inches to access the rod in the last column. See Figure 2

Figure 1

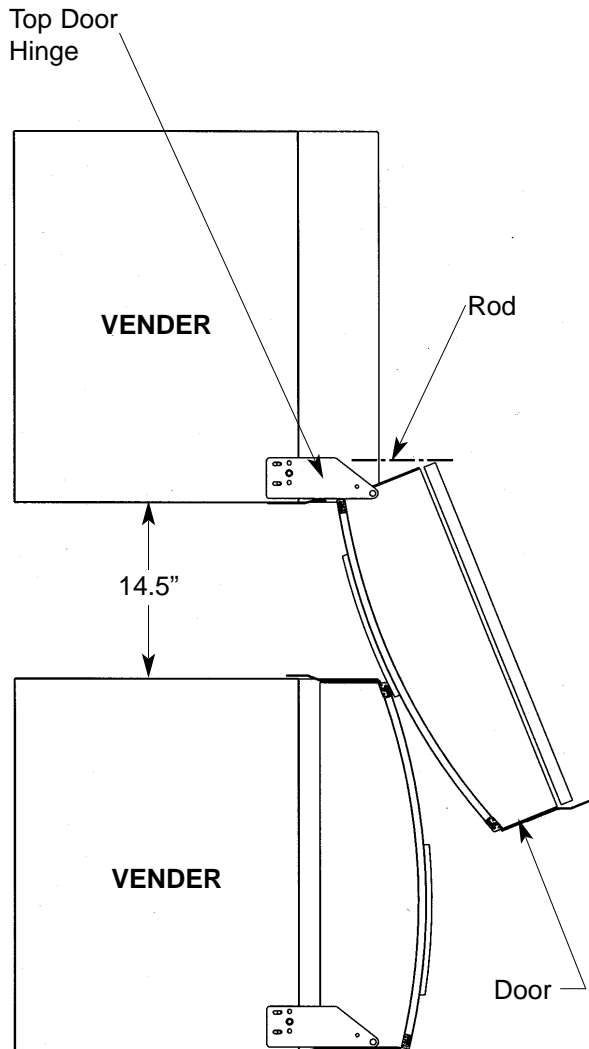
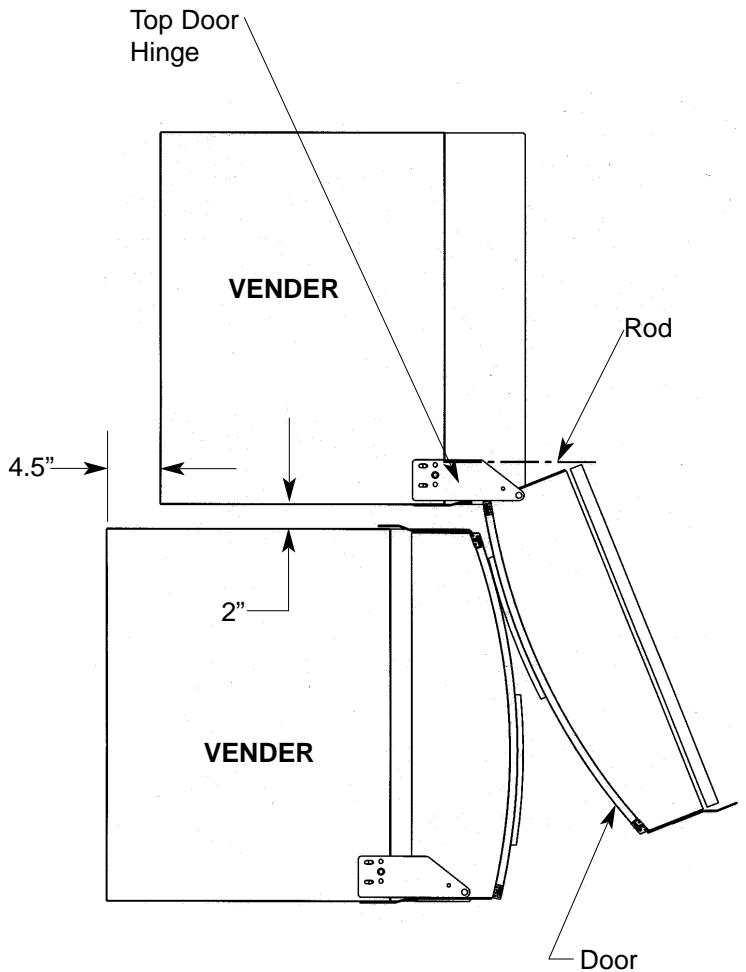


Figure 2



Top Views

**ANY QUESTIONS???** CONTACT ROYAL VENDORS' CUSTOMER SERVICE DEPARTMENT  
CALL TOLL FREE (800) 931-9214