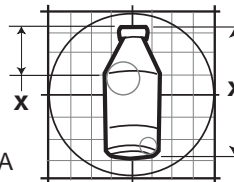




# 138

## Package Vending Specification



426 Industrial Boulevard • Kearneysville WV 25430-2776 • USA  
Telephone: +1 304 728-7056 • Fax: +1 304 725-6579

Page: 1 of 2

Date: 27 Feb 07

Revision: 00

**PRODUCT NAME:** MegaSport  
**BOTTLER / COMPANY:** Sundance Beverage Co.  
**VOLUME:** 20 oz. / 591 mL  
**PACKAGE TYPE:** PET  
**HEIGHT:** 7.90 in. / 200.6 mm  
**DIAMETER:** 2.89 in. / 73.5 mm  
**WEIGHT:** 1.45 lbs. / 0.66 kg  
**COUNTRY OF ORIGIN:** USA

### APPROVED VENDERS

VENDER	RETAINERS		72" CAPACITY	
	Front	Rear	Front	Rear
EZ	21	N/A	46	N/A

**KITS / PARTS:** 324719 Product Stop EZ required in all columns.

## INSTALLATION INSTRUCTIONS

**Note:** Before working on vender, always remove power by unplugging the vender's main power cord from the AC voltage source (outlet).

Refer to illustrations on page 2.

1. Remove all product from each column that is to be converted.
2. Remove the wiring cover plate from the front of the vend mechanism assembly.
3. Pull out the product stop holding rod.
4. Remove the existing product stop, and replace it with the product stop from the kit.
5. Reinstall the product stop rod.
6. Reinstall and secure the wiring cover plate.

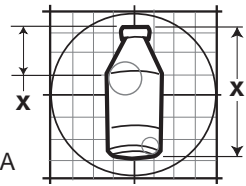


**ANY QUESTIONS??? CONTACT ROYAL VENDORS' CUSTOMER SERVICE DEPARTMENT  
CALL TOLL FREE (800) 931-9214**



# 138 Package Vending Specification

426 Industrial Boulevard • Kearneysville WV 25430-2776 • USA  
Telephone: +1 304 728-7056 • Fax: +1 304 725-6579



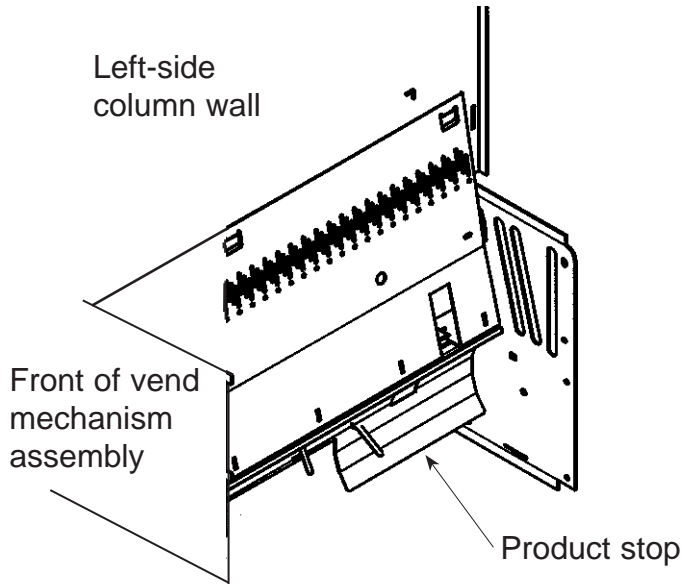
Page: 2 of 2

Date: 27 Feb 07

Revision: 00

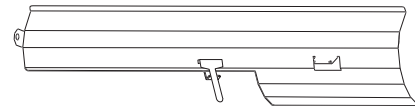
PRODUCT NAME: MegaSport

**Figure 1**



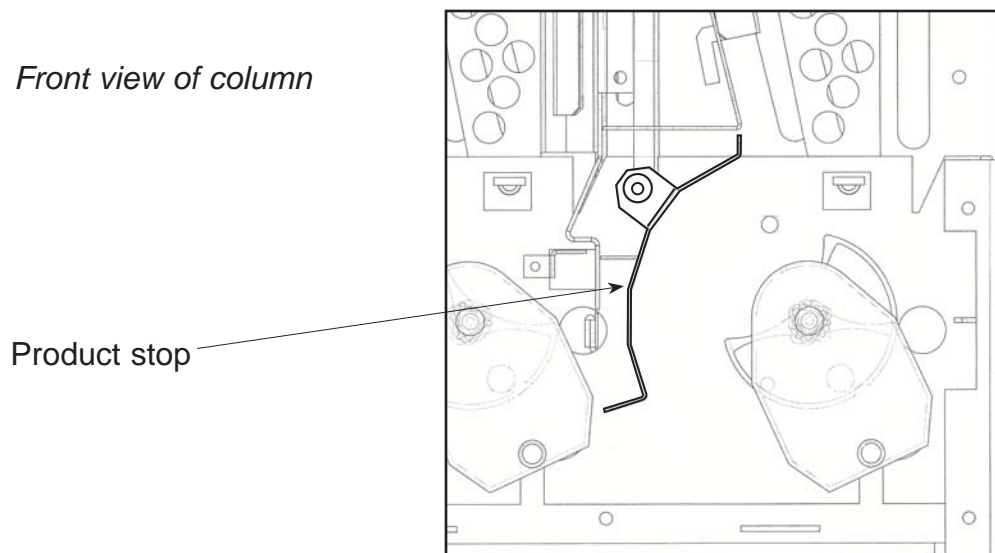
**Figure 2**

Small package filler (goes in place of existing product stop)



**Figure 3**

Front view of column



**ANY QUESTIONS??? CONTACT ROYAL VENDORS' CUSTOMER SERVICE DEPARTMENT  
CALL TOLL FREE (800) 931-9214**