



SERVICE BULLETIN # 00138

201 INDUSTRIAL BOULEVARD • KEARNEYSVILLE, WV 25430

Phone: (304) 728-7056 • Fax: (304) 725-6579 • Toll Free: (800) 931-9214

PAGE: 1 of 2

DATE: 8-21-00

REVISION: 03

SUBJECT: Installation of Can Shim Kit for 12 oz Cans (540 & 630 Three Deep "Plus" Models Only)

MODELS: 540 & 630 Three Deep "Plus" Venders (See Note Below)

KIT NUMBER

KIT DESCRIPTION

201194

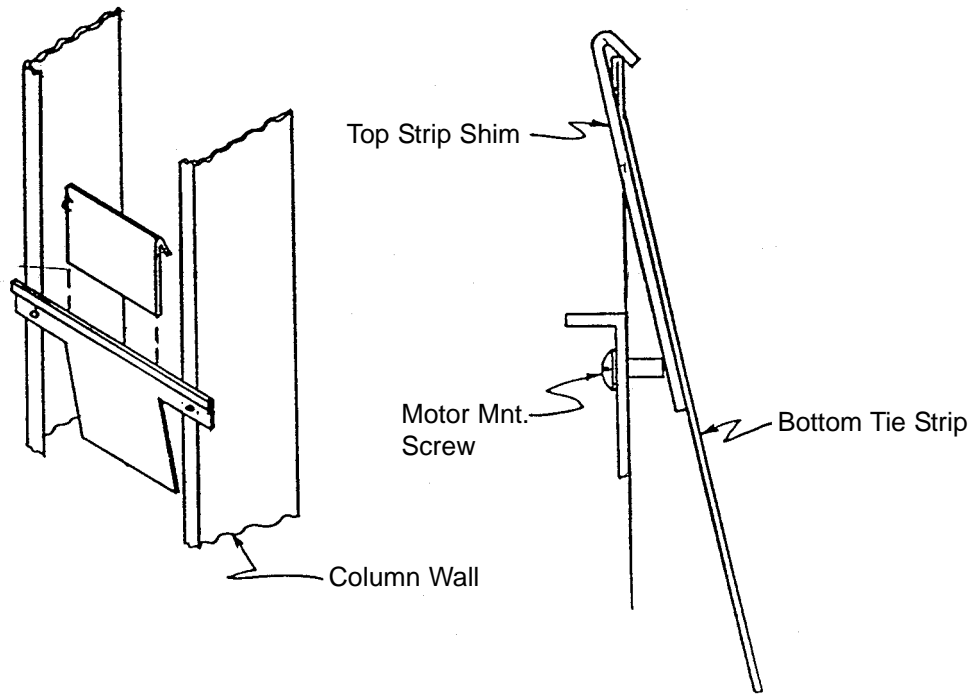
Shim Kit for 540 & 630 Venders WITHOUT Sold Out Paddles

BEFORE WORKING ON VENDER: Remove power from vender by unplugging vender's main power cord from the AC voltage power source (wall outlet).

NOTE: All 510, 540, 609, & 630 three deep models can be identified on the serial plate as 1352XX-XXXX and less. 1352 and greater are three deep "plus" models and are 1/2" deeper.

Instructions:

1. Install backspacers in hole #17. Product will vend triple deep.
2. When converting wide columns: Install a tie strip shim (011189) included in kit) in each column being used to vend 12 oz. cans. Use these only if sold out paddles are NOT present.



**ANY QUESTIONS??? CONTACT ROYAL VENDORS' CUSTOMER SERVICE DEPARTMENT
CALL TOLL FREE (800) 931-9214**



SERVICE BULLETIN # 00138

201 INDUSTRIAL BOULEVARD • KEARNEYSVILLE, WV 25430

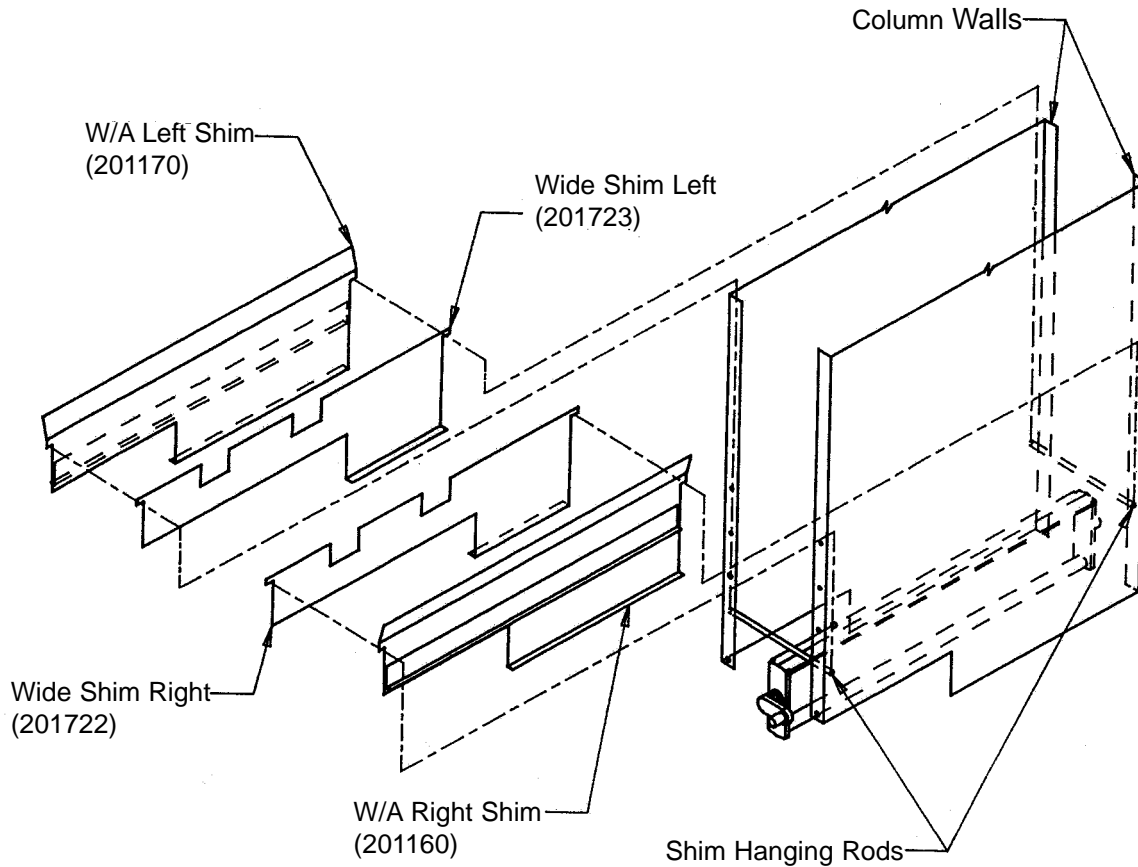
Phone: (304) 728-7056 • Fax: (304) 725-6579 • Toll Free: (800) 931-9214

PAGE: 2 of 2
DATE: 8-21-00
REVISION: 03

SUBJECT: Installation of Can Shim Kit for 12 oz Cans (540 & 630 Three Deep "Plus" Models Only)

MODELS: 540 & 630 Three Deep "Plus" Venders (See Note Below)

Wide Columns



ANY QUESTIONS??? CONTACT ROYAL VENDORS' CUSTOMER SERVICE DEPARTMENT
CALL TOLL FREE (800) 931-9214