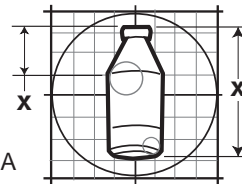




137 Package Vending Specification

426 Industrial Boulevard • Kearneysville WV 25430-2776 • USA
 Telephone: +1 304 728-7056 • Fax: +1 304 725-6579



Page: 1 of 1

Date: 9 Feb 07

Revision: 00

PRODUCT NAME: Fuze
BOTTLER / COMPANY: Fuze Beverage, LLC
VOLUME: 16.9 oz. / 500 mL
PACKAGE TYPE: PET
HEIGHT: 7.89 in. / 200.4 mm
DIAMETER: 2.73 in. / 69.2 mm
WEIGHT: 1.20 lbs. / 0.54 kg
COUNTRY OF ORIGIN: USA



APPROVED VENDERS				
VENDER	RETAINERS		79" CAPACITY	
	Front	Rear	Front	Rear
GIII	11	See below	30	30

KITS / PARTS: FRONT COLUMNS: Fuze Vend Kit, Front (72" and 79": 287101).
 REAR COLUMNS: Fuze Vend Kit, Rear (79": 286102; 72": 287102).

INSTALLATION INSTRUCTIONS

Note: Before working on vender, always remove power by unplugging the vender's main power cord from the AC voltage source (outlet).

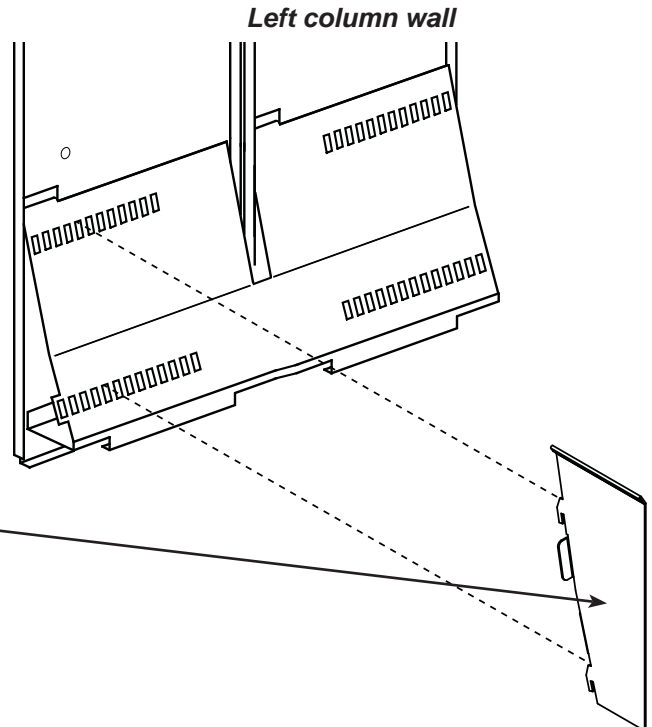
FRONT COLUMNS:

1. Install one funnel retainer (from kit) in position 5, as shown in the illustration below.
2. Place the product retainers in position 11, counting from the front.
3. Load bottles with caps to the front.
4. Set selection depth to "1."

REAR COLUMNS:

1. Place backspacer assembly in position 5, counting from the rear.
2. Install product retainers (from kit) in position 9.
3. Load bottles with caps to the rear.
4. Set selection depth to "1."

Funnel retainer installation



Funnel retainer
 For front columns,
 install the funnel retainer in
 position 5 of the left column wall,
 counting from the front.

**ANY QUESTIONS??? CONTACT ROYAL VENDORS' CUSTOMER SERVICE DEPARTMENT
 CALL TOLL FREE (800) 931-9214**