



# SERVICE BULLETIN # 00137

201 INDUSTRIAL BOULEVARD • KEARNEYSVILLE, WV 25430

Phone: (304) 728-7056 • Fax: (304) 725-6579 • Toll Free: (800) 931-9214

PAGE: 1 of 2

DATE: 8-21-00

REVISION: 03

**SUBJECT:** Installation of Can Shim Kit for 12 oz Cans (540 & 630 Three Deep Models Only)

**MODELS:** 540 & 630 Three Deep Venders (See Note Below)

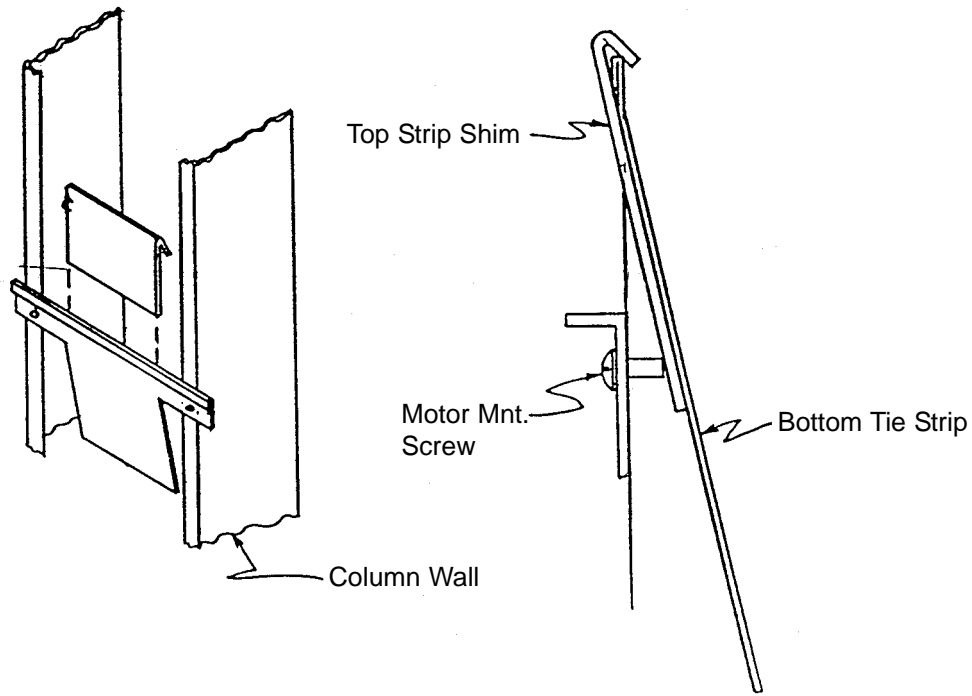
KIT NUMBER	KIT DESCRIPTION
201193	Shim Kit for 540 & 630 Venders <b>WITH</b> Sold Out Paddles
201192	Shim Kit for 540 & 630 Venders <b>WITHOUT</b> Sold Out Paddles

**BEFORE WORKING ON VENDER:** Remove power from vender by unplugging vender's main power cord from the AC voltage power source (wall outlet).

**NOTE:** All 510, 540, 609, & 630 three deep models can be identified on teh serial plate as 1352XX-XXXX and less. 1352 and greater are three deep "plus" models and are 1/2" deeper.

## Instructions:

1. Install backspacers in hole #17. Product will vend triple deep.
2. When converting wide columns: Install a tie strip shim (011189) included in kit #201192) in each column being used to vend 12 oz. cans. Use these only if sold out paddles are NOT present in wide columns.



**ANY QUESTIONS??? CONTACT ROYAL VENDORS' CUSTOMER SERVICE DEPARTMENT  
CALL TOLL FREE (800) 931-9214**



# SERVICE BULLETIN # 00137

201 INDUSTRIAL BOULEVARD • KEARNEYSVILLE, WV 25430

Phone: (304) 728-7056 • Fax: (304) 725-6579 • Toll Free: (800) 931-9214

PAGE: 2 of 2

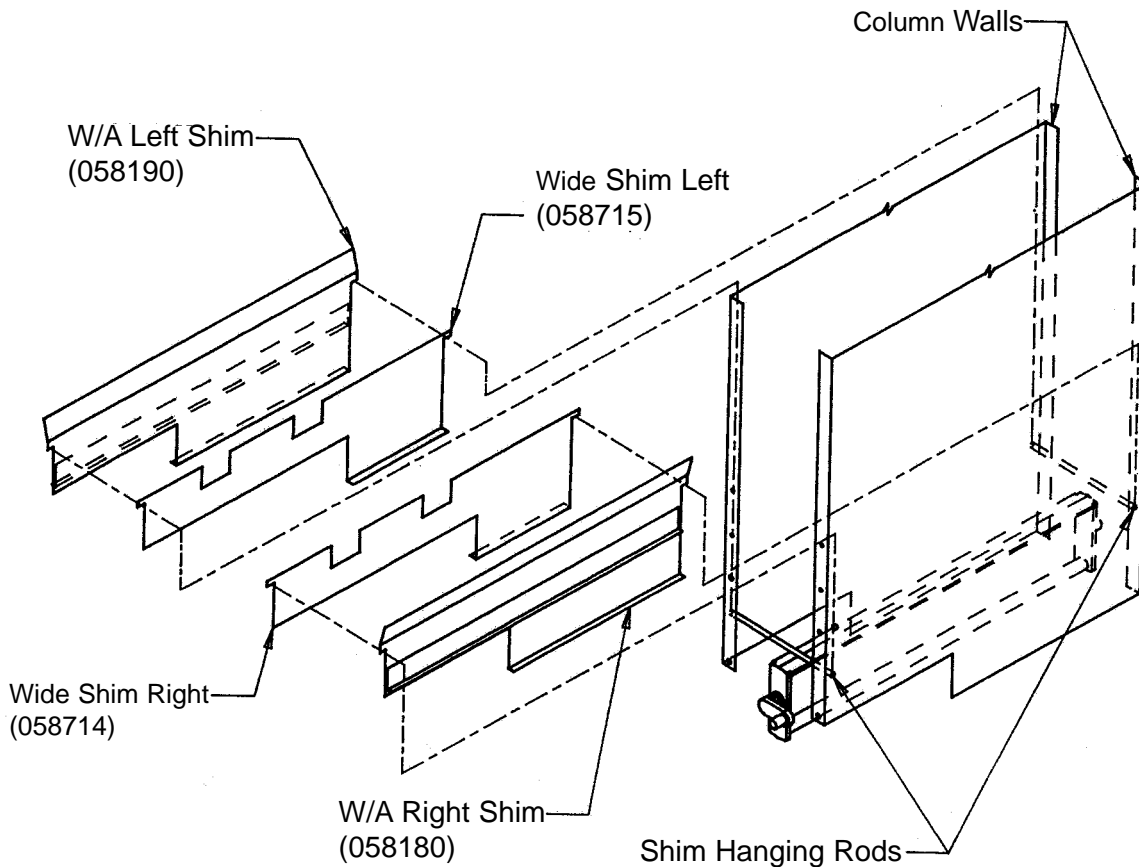
DATE: 8-21-00

REVISION: 03

**SUBJECT:** Installation of Can Shim Kit for 12 oz Cans (540 & 630 Three Deep Models Only)

**MODELS:** 540 & 630 Three Deep Venders (See Note Below)

## Wide Columns



**ANY QUESTIONS???** CONTACT ROYAL VENDORS' CUSTOMER SERVICE DEPARTMENT  
CALL TOLL FREE (800) 931-9214