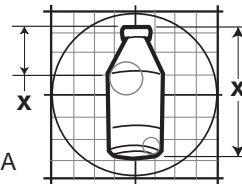




135

Package Vending Specification



Page: 1 of 2

Date: 22 Aug 07

Revision: 01

426 Industrial Boulevard • Kearneysville WV 25430-2776 • USA

Telephone: +1 304 728 7056 • Fax: +1 304 725 4016

PRODUCT NAME: 325 mL Starbucks Iced Coffee
BOTTLER / COMPANY: North American Coffee Partnership
VOLUME: 325 mL / 11 oz.
PACKAGE TYPE: Can
HEIGHT: 6.13 in. / 155.6 mm
DIAMETER: 2.26 in. / 57.5 mm
WEIGHT: 0.75 lbs. / 0.34 kg
COUNTRY OF ORIGIN: USA



APPROVED VENDERS				
VENDER	RETAINERS		79" CAPACITY	
	Front	Rear	Front	Rear
MIV Airflow*	10	8	36	36
MIV (original)	11	9	36	36
RVV NG	N/A	N/A	9	N/A

* - Serial number 200422XX00001 and after.

KITS / PARTS: **MERLIN IV:** FRONT COLUMNS: 325 mL Starbucks Kit MIV Front (79": 256059; 72": 257059); REAR COLUMNS: 325 mL Starbucks Kit MIV Rear (79" and 72": 257060).
RVV NG: None required.

MERLIN IV INSTALLATION INSTRUCTIONS

Note: Before working on vender, always remove power by unplugging the vender's main power cord from the AC voltage source (outlet).

FRONT COLUMNS:

1. Install the small package filler, as shown in Figure 1.
2. Remove the left and right product retainers from the columns to be converted.
3. Install the column extrusion on the left side column wall by placing it all the way against the center divider channel. (See Figure 2.)
4. Install the right product retainer in position 10 (Airflow) or position 11 (original design). Do not install the left product retainer.
5. Load cans single depth in each column, all turned the same direction.

REAR COLUMNS:

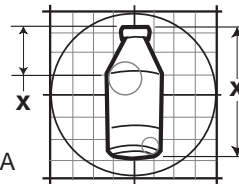
1. Install the small package filler, as shown in Figure 1.
2. Install the backspacer assembly in position 8 (Airflow) or position 9 (original design), counting from the rear.
3. Load cans single depth in each column, all turned the same direction.

ANY QUESTIONS??? CONTACT ROYAL VENDORS' CUSTOMER SERVICE DEPARTMENT
CALL TOLL FREE IN NORTH AMERICA 1 800 931 9214



135 Package Vending Specification

426 Industrial Boulevard • Kearneysville WV 25430-2776 • USA
Telephone: +1 304 728 7056 • Fax: +1 304 725 4016



Page: 2 of 2

Date: 22 Aug 07

Revision: 01

PRODUCT NAME: 325 mL Starbucks Iced Coffee

FIGURE 1

Small package filler installation

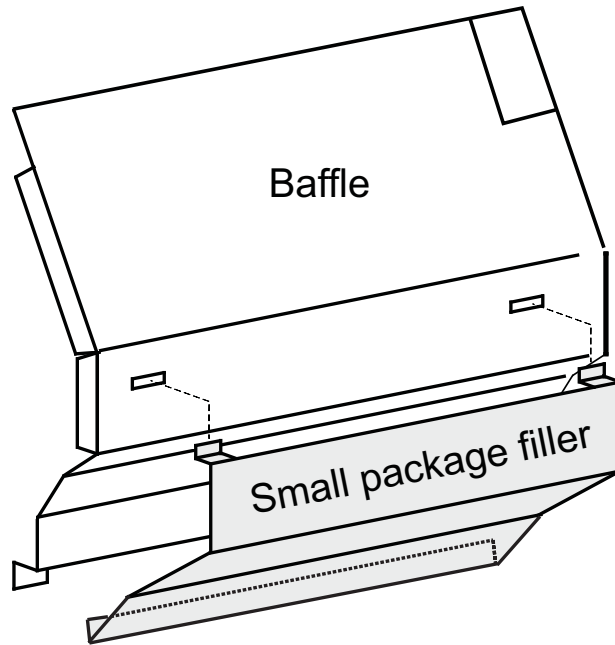
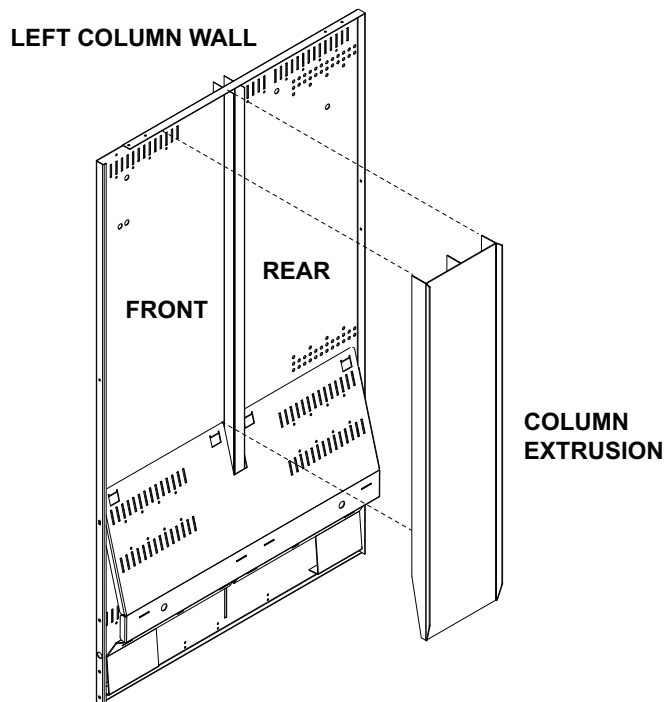


FIGURE 2

Column extrusion installation

Install the column extrusion all the way against the front column's center divider channel, as shown.



**ANY QUESTIONS??? CONTACT ROYAL VENDORS' CUSTOMER SERVICE DEPARTMENT
CALL TOLL FREE IN NORTH AMERICA 1 800 931 9214**