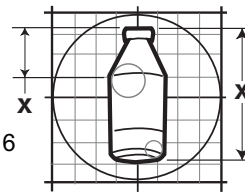




134

Package Vending Specification

426 Industrial Boulevard • Kearneysville WV 25430-2776
 Phone: (304) 728-7056 • Fax: (304) 725-6579



| |
|----------------|
| PAGE: 1 of 3 |
| DATE: 2 Mar 07 |
| REVISION: 01 |

PRODUCT NAME: Syzmo / Tab Energy
BOTTLER / COMPANY: BevSpec, Inc. / The Coca-Cola Company
VOLUME: 10.5 oz. / 310 mL
PACKAGE TYPE: Can
HEIGHT: 5.49 in. / 139.3 mm
DIAMETER: 2.26 in. / 57.4 mm
WEIGHT: 0.75 lbs. / 0.34 kg
COUNTRY OF ORIGIN: USA



APPROVED VENDERS

| VENDER | RETAINERS | | 79" CAPACITY | |
|--------|-----------|------|--------------|------|
| | Front | Rear | Front | Rear |
| Gill | 10 | 8 | 34 | 34 |

KITS / PARTS: FRONT COLUMN: 310 mL Syzmo Can Kit Gill Front (79": 231055; 72": 232055). REAR COLUMN: 310 mL Syzmo Can Kit Gill Rear (79": 231056; 72": 232056).

SPECIAL INSTRUCTIONS:

Note: Before working on the vender, always remove power by unplugging the vender's main power cord from the AC voltage source (wall outlet).

- Remove all product from the columns that are to be converted.
- Remove the existing spacers and product stops from all columns that are to be converted by pulling the product stop rods and removing the small parts.
- FRONT COLUMNS:**
 - Reinstall spacers and product stops in the following order, starting from the front of the column (see Figure 1): 0.50" spacer (A), long product stop (B), 1.25" spacer (C), 310 / 325 mL product stop (D), 1.25" spacer (C).
 - Remove the left and right product retainers from the columns to be converted.
 - Install the can shim by placing it all the way against the center divider channel. (See Figure 2.)
 - Install the left and right product retainers in position 10, counting from the front.
- REAR COLUMNS:**
 - Reinstall the spacers and product stops in the following order, starting from the front of the column (see Figure 1): 1.25" spacer (C), 310 / 325 mL product stop (D), 1.25" spacer (C), long product stop (B).
 - Install the can shims by placing them all the way against the center divider channel. Install the longer shim first, then install the shorter can shim above the longer one. (See Figure 2.)
 - Install the backspacer assembly in position 8, counting from the rear.
- Attach one divider extrusion to the right-side center channel. (See Figure 3.)
- Load cans single depth in each column, all turned the same direction.

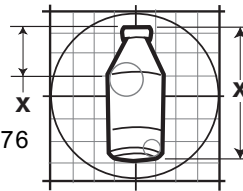
**ANY QUESTIONS??? CONTACT ROYAL VENDORS' CUSTOMER SERVICE DEPARTMENT
 CALL TOLL FREE (800) 931-9214**



134

Package Vending Specification

426 Industrial Boulevard • Kearneysville WV 25430-2776
Phone: (304) 728-7056 • Fax: (304) 725-6579



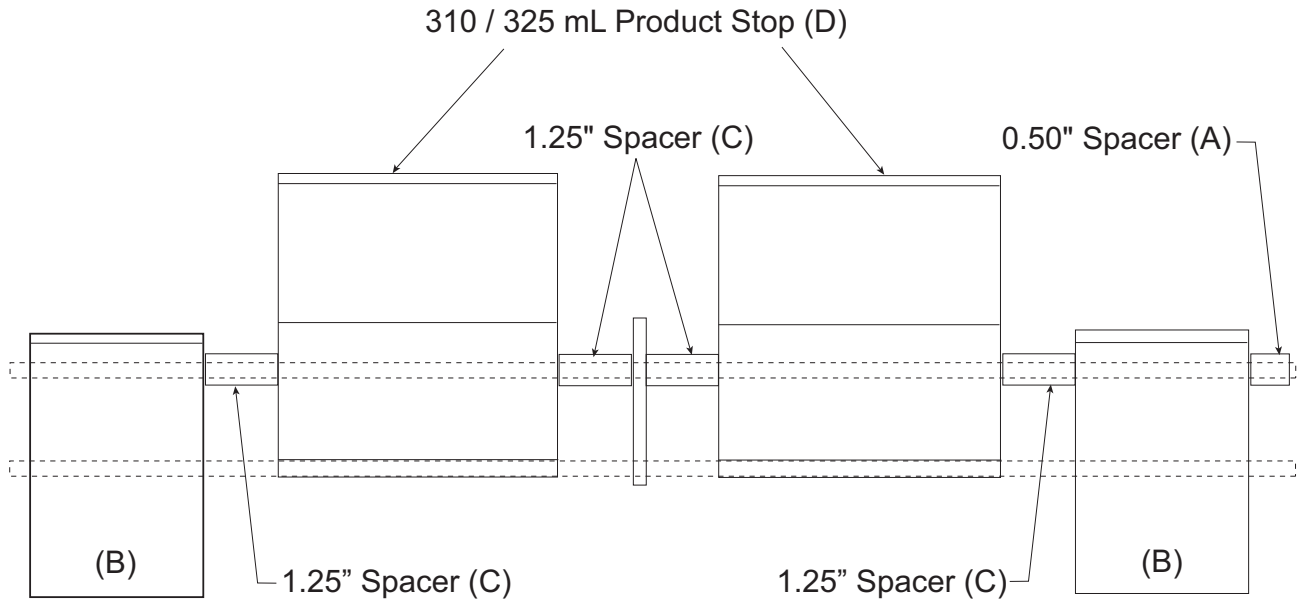
| |
|----------------|
| PAGE: 2 of 3 |
| DATE: 2 Mar 07 |
| REVISION: 01 |

PRODUCT NAME: Syzmo / Tab Energy

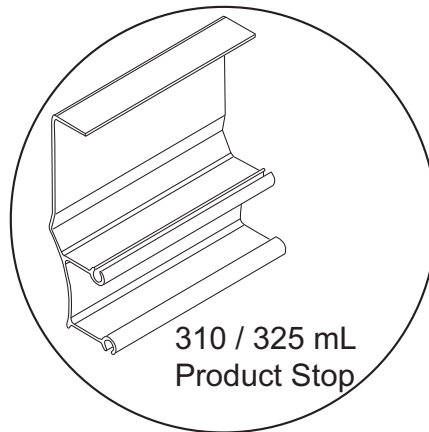
Figure 1

Order of spacers and product stops in columns

Note: The long product stop and one 1.25" spacer are already installed in each GIII column prior to kit installation. Use these existing parts along with the parts in the kit to complete installation.



REAR



FRONT

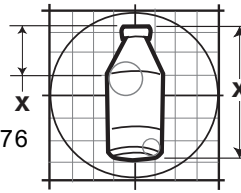
**ANY QUESTIONS??? CONTACT ROYAL VENDORS' CUSTOMER SERVICE DEPARTMENT
CALL TOLL FREE (800) 931-9214**



134

Package Vending Specification

426 Industrial Boulevard • Kearneysville WV 25430-2776
Phone: (304) 728-7056 • Fax: (304) 725-6579



PAGE: 3 of 3

DATE: 2 Mar 07

REVISION: 01

PRODUCT NAME: Syzmo / Tab Energy

Figure 2

Can shim installation

Install the can shims all the way against the center divider channel, as shown. In rear columns, install the longer shim first, then install the shorter shim above it.

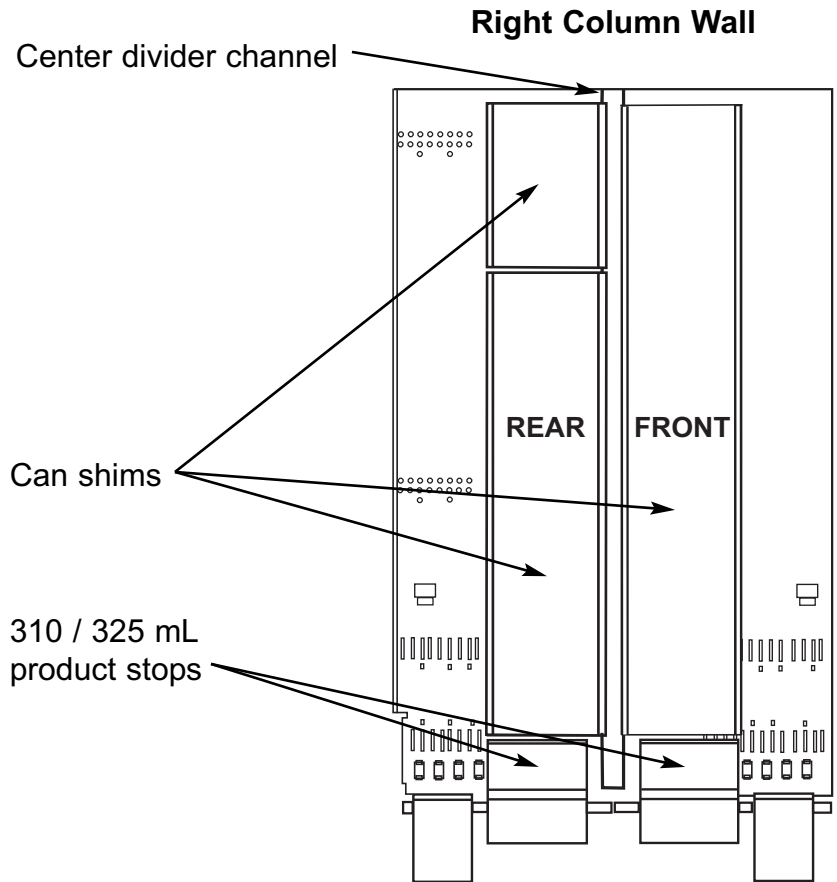
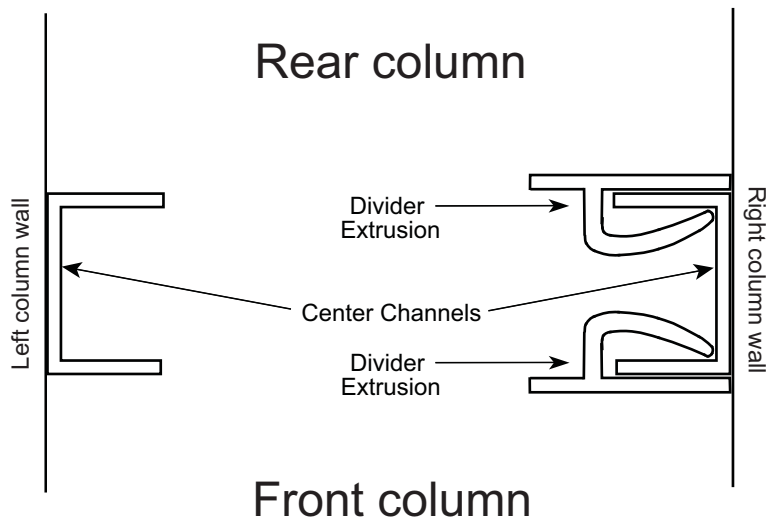


Figure 3

Center divider extrusion installation



**ANY QUESTIONS??? CONTACT ROYAL VENDORS' CUSTOMER SERVICE DEPARTMENT
CALL TOLL FREE (800) 931-9214**