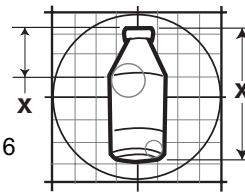




# 132

## Package Vending Specification

426 Industrial Boulevard • Kearneysville WV 25430-2776  
 Phone: (304) 728-7056 • Fax: (304) 725-6579



PAGE: 1 of 2
DATE: 10-03-06
REVISION: 00

**PRODUCT NAME:** 12 oz Gatorade bottle  
**BOTTLER / COMPANY:** The Gatorade Company  
**VOLUME:** 12 oz. / 355 mL  
**PACKAGE TYPE:** PET  
**HEIGHT:** 6.27 in. / 159.3 mm  
**DIAMETER:** 2.59 in. / 65.9 mm  
**WEIGHT:** 0.85 lbs. / 0.39 kg  
**COUNTRY OF ORIGIN:** USA



APPROVED VENDERS				
VENDER	RETAINERS		79" CAPACITY	
	Front	Rear	Front	Rear
MIV Airflow*	See below	See below	32	32
MIV (regular)	See below	See below	32	32

\* - Serial number 200422XX00001 and after.

**KITS / PARTS:** FRONT COLUMN: 12 oz Gatorade Kit MIV Front (79": 261193; 72": 262193). REAR COLUMN: 12 oz Gatorade Kit MIV Rear (79": 261194; 72": 262194).

### SPECIAL INSTRUCTIONS:

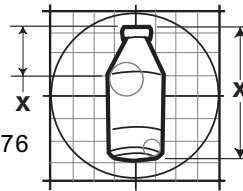
1. Remove all product from each column that is to be converted.
2. FRONT COLUMNS: Remove both product retainers from the column.
3. Install one filler plate in each column as shown in Figure 1.
4. Attach one retainer extrusion (from kit) to each product retainer. (See Figure 2.)
5. FRONT COLUMNS: Install the left product retainer in position 11 (Airflow) or position 12 (regular). Install right product retainer in position 8 (Airflow) or position 9 (regular).
6. REAR COLUMNS: Set the rear spacer in position 1 (all the way to the rear of the column). Install the left product retainer in position 10 (Airflow) or position 11 (regular). Install the right product retainer in position 12 (Airflow) or position 13 (regular).
7. Load product with caps to the front in front columns and caps to the rear in rear columns.

**ANY QUESTIONS??? CONTACT ROYAL VENDORS' CUSTOMER SERVICE DEPARTMENT  
 CALL TOLL FREE (800) 931-9214**



# 132 Package Vending Specification

426 Industrial Boulevard • Kearneysville WV 25430-2776  
Phone: (304) 728-7056 • Fax: (304) 725-6579

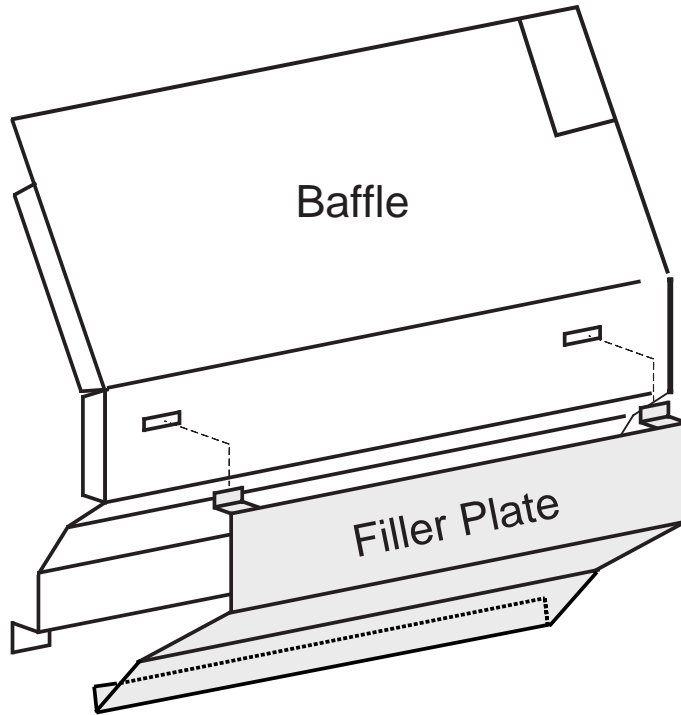


**PAGE:** 2 of 2  
**DATE:** 10-03-06  
**REVISION:** 00

PRODUCT NAME: 12 oz Gatorade bottle

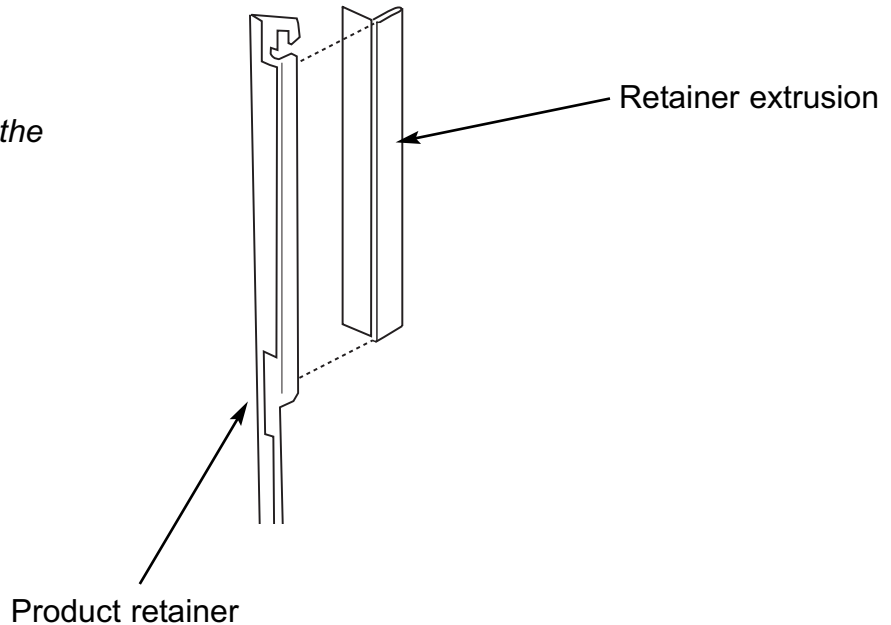
## **Figure 1**

*Installation of filler plate*



## **Figure 2**

*Snap the retainer extrusion onto the product retainer as shown.*



**ANY QUESTIONS??? CONTACT ROYAL VENDORS' CUSTOMER SERVICE DEPARTMENT  
CALL TOLL FREE (800) 931-9214**