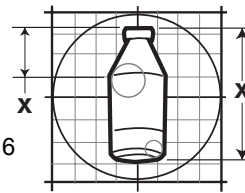




126

Package Vending Specification

426 Industrial Boulevard • Kearneysville WV 25430-2776
 Phone: (304) 728-7056 • Fax: (304) 725-6579



PAGE: 1 of 2
DATE: 6-7-06
REVISION: 00

PRODUCT NAME: 10 oz Dole / Tropicana bottle
BOTTLER / COMPANY: Tropicana Products, Inc.
VOLUME: 10 oz. / 296 mL
PACKAGE TYPE: PET
HEIGHT: 6.97 in. / 177.0 mm
DIAMETER: 2.22 in. / 56.4 mm
WEIGHT: 0.78 lbs. / 0.35 kg
COUNTRY OF ORIGIN: USA



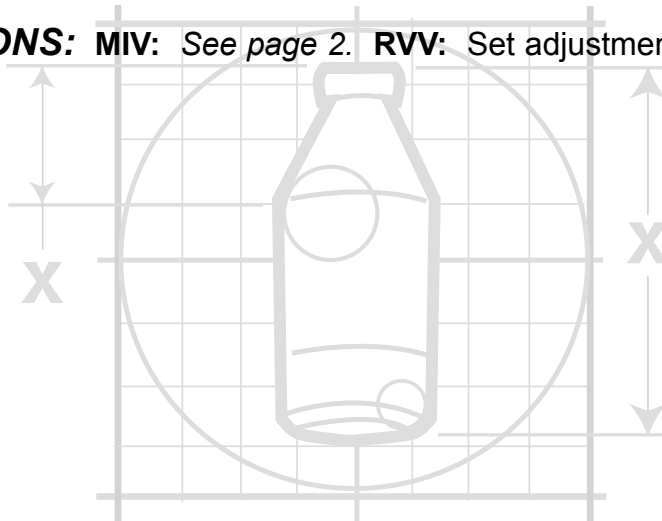
APPROVED VENDERS

VENDER	RETAINERS		79" CAPACITY	
	Front	Rear	Front	Rear
MIV Airflow*	7	7	32	34
MIV (older)	8	8	32	34
RVV	3	N/A	9	N/A
RVV NG	N/A	N/A	9	N/A

* - Serial number 200422XX00001 and after.

KITS / PARTS: **MIV: FRONT COLUMN:** 10 oz Dole / Tropicana Kit Front (79": 256041; 72": 257041). **REAR COLUMN:** 10 oz Dole / Tropicana Kit Rear (79": 256042; 72": 257042). **RVV and RVV NG:** None required.

SPECIAL INSTRUCTIONS: **MIV:** See page 2. **RVV:** Set adjustments to position 3. **RVV NG:** No special instructions.



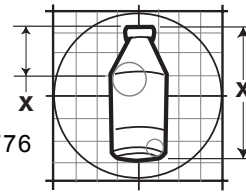
ANY QUESTIONS??? CONTACT ROYAL VENDORS' CUSTOMER SERVICE DEPARTMENT
CALL TOLL FREE (800) 931-9214



126

Package Vending Specification

426 Industrial Boulevard • Kearneysville WV 25430-2776
Phone: (304) 728-7056 • Fax: (304) 725-6579



PAGE: 2 of 2

DATE: 6-7-06

REVISION: 00

PRODUCT NAME: 10 oz Dole / Tropicana bottle

MERLIN IV KIT INSTALLATION INSTRUCTIONS:

1. Remove power from the vender by unplugging the vender's main power cord from the AC voltage source (outlet).
2. Mount the small package filler on the left-hand side of the column. (See Figure 1.)
3. **79" venders** (see Figure 3):
FRONT COLUMNS: In front columns, install the 37" (94 cm) extrusion.
REAR COLUMNS: Install the 29.5" (75 cm) extrusion. Slide this extrusion all the way down until the angle is flush with the column baffle. Then, install the 7.5" (19 cm) extrusion above the smaller extrusion.
4. **72" venders** (see Figure 3): Install the 29.5" (75 cm) extrusion.
5. Install a black extrusion on the front right side retainer. (See Figure 2.)
6. **Serial number 200422XX00001 and after:** Set the front and rear retainers to position 7.
Prior to serial number 200422XX00001: Set the front and rear retainers to position 8.
7. In Selection Depth Setting ("SDP"), set selection(s) to "1."
8. Load bottles with caps to the front in front columns and caps to the rear in rear columns.

Figure 1

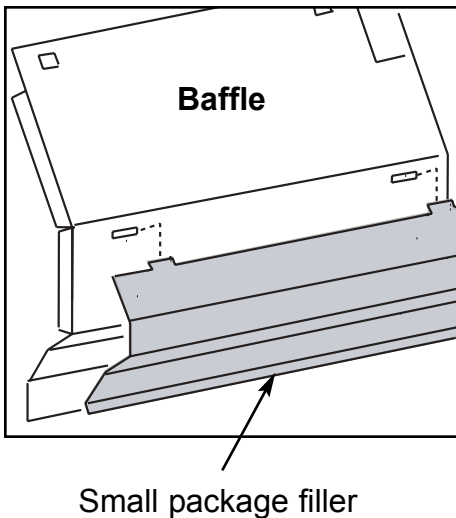
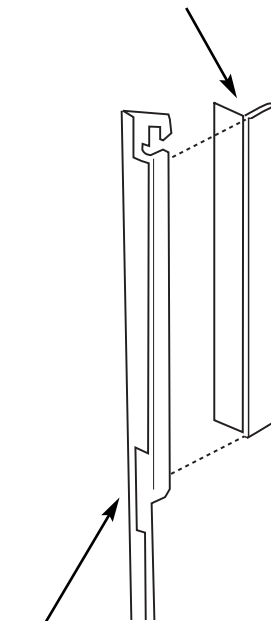


Figure 2

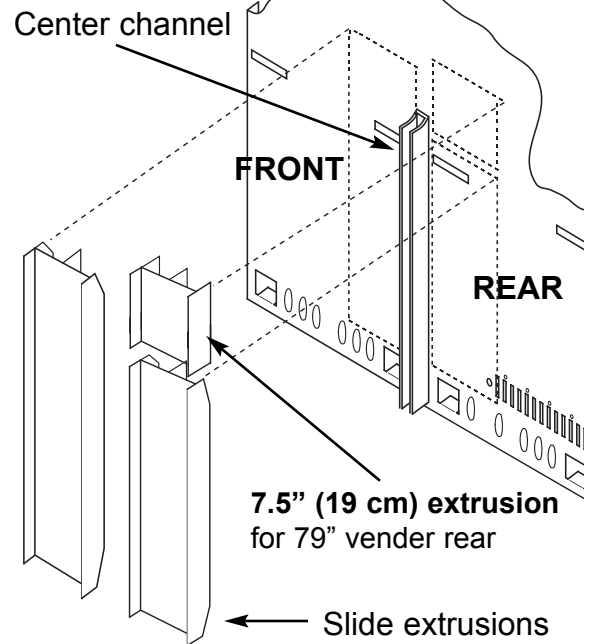
Black extrusion



Right front-column retainer

Figure 3

Left column wall



7.5" (19 cm) extrusion for 79" vender rear

Slide extrusions down until angle is flush with baffle

**ANY QUESTIONS??? CONTACT ROYAL VENDORS' CUSTOMER SERVICE DEPARTMENT
CALL TOLL FREE (800) 931-9214**