



# SERVICE BULLETIN # 00126

201 INDUSTRIAL BOULEVARD • KEARNEYSVILLE, WV 25430

Phone: (304) 728-7056 • Fax: (304) 725-6579 • Toll Free: (800) 931-9214

PAGE: 1 of 1

DATE: 6-19-02

REVISION: 03

**SUBJECT:** Evaporator Fan Mounting Bracket Assembly Instructions

**MODELS:** All Venders

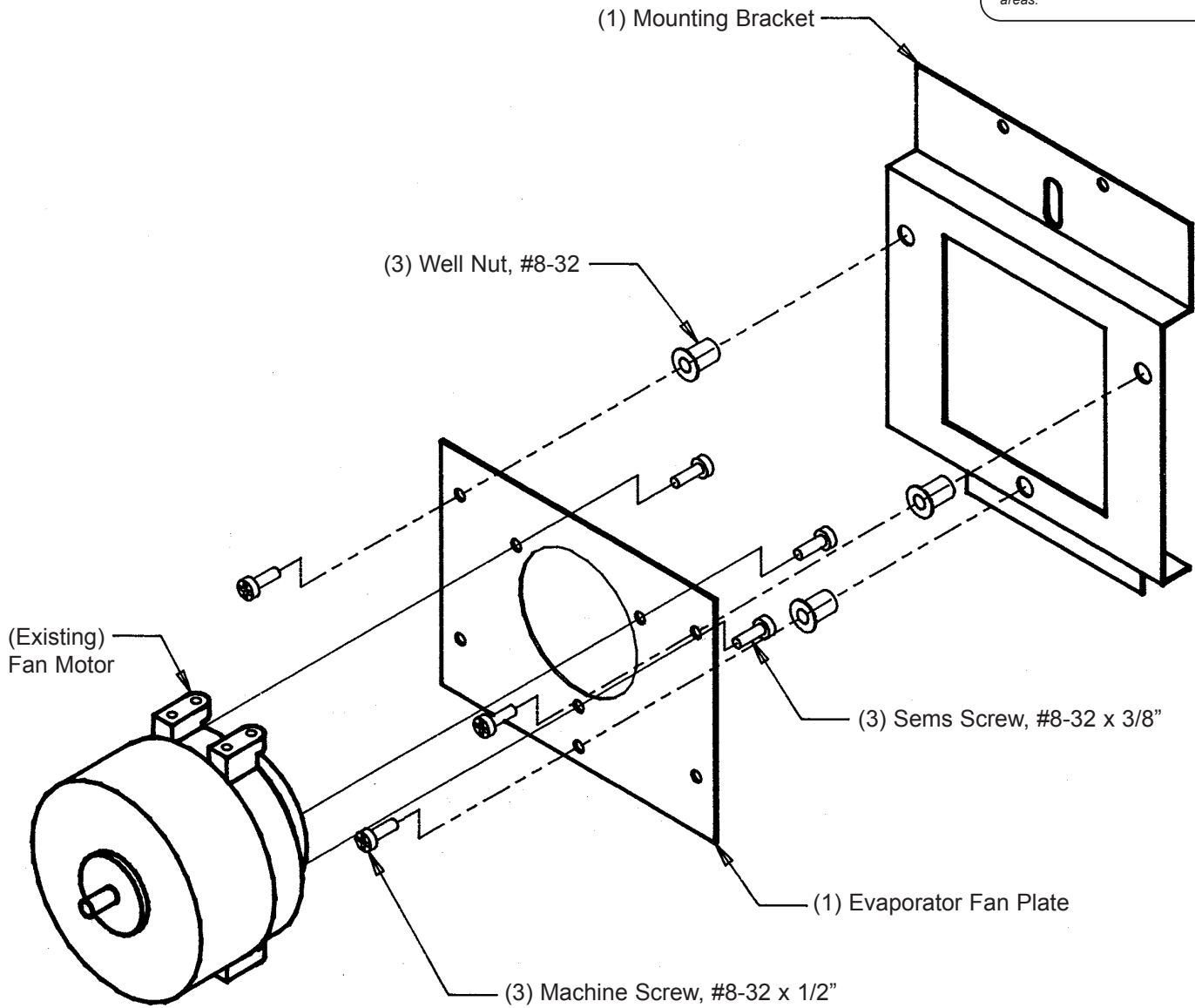
**KIT NUMBER**

**KIT DESCRIPTION**



The following areas of this vender contain voltage, which can cause serious injury or even death. The main power cord, supplying 110 VAC to the evaporator, EMI filter, and refrigeration system. The power line from the EMI filter to the ballast and transformer. The ballast can produce upwards of 600 volts. Remove power from vender before working in any of these areas.

**BEFORE WORKING ON VENDER:** Remove power from vender by unplugging vender's main power cord from the AC voltage power source.



**ANY QUESTIONS??? CONTACT ROYAL VENDORS' CUSTOMER SERVICE DEPARTMENT  
CALL TOLL FREE (800) 931-9214**