



SERVICE BULLETIN # 00118

201 INDUSTRIAL BOULEVARD • KEARNEYSVILLE, WV 25430

Phone: (304) 728-7056 • Fax: (304) 725-6579 • Toll Free: (800) 931-9214

PAGE: 1 of 3

DATE: 6-19-02

REVISION: 03

SUBJECT: Installation Chute Sensor Adaptor

MODELS: GII Venders with Serial Numbers 1300-0000 and Before

KIT NUMBER

KIT DESCRIPTION

095150

Chute Sensor Adaptor (GII Venders)



The following areas of this vender contain voltage, which can cause serious injury or even death. The main power cord, supplying 110 VAC to the evaporator, EMI filter, and refrigeration system. The power line from the EMI filter to the ballast and transformer. The ballast can produce upwards of 600 volts. Remove power from vender before working in any of these areas.

Instructions:

1. Unplug vender from wall socket.
2. Remove can chute from cabinet.
3. Lift "Can Chute Liner" from can chute. (Liner is riveted in place so it cannot be removed.) Using an 1/8" drill bit, drill out rivets securing "GII Chute Sensor" to the underside of the can chute.
4. Place "Chute Sensor Adapter Assembly" onto the underside of can chute. Be sure chute sensor is close to the top of the can chute with wire lead pointing to the front of the vender. (Refer to Illustration) Using the four (4) supplied rivets, secure "Chute Sensor Adapter Assembly" to the can chute using the same holes that were used for the "GII Chute Sensor." Remove "GII Chute Sensor" from vender.
5. Replace can chute in cabinet.
6. Remove "Wiring Cover Plate." (Refer to Illustration) Chute Sensor harness should be run with existing GII harnesses to control board area in the top of the door. Use supplied wire ties to secure into place. Replace "Wiring Cover Plate."
7. Remove "P.C. Board Housing - Cover." (This part covers the GII control board. It is located in the top corner of the main door, above the coin insert area.)

Note: On older GII models, it may be necessary to disconnect the "Phonejack / Mode Button" harness as these two (2) devices are mounted to the "P.C. Board Housing - Cover"

8. Locate GII "Home Sensor / Door Switch / Chute Sensor Harness" connection on control board and disconnect. (Refer to Illustration)
9. Plug "Interface Board" to GII control board at the "Home Sensor / Door Switch / Chute Sensor Harness" connection. Connect "Chute Sensor Adapter Assembly" harness to the 4-way connection on the "Interface Board." Connect the "Home Sensor / Door Switch / Chute Sensor Harness" to the 8-way connection on the "Interface Board."
10. Plug vender into wall socket.
11. Using the trimpot and L.E.D. light on the "Interface Board", adjust the sensitivity of the newly installed "Chute Sensor Adapter Assembly" by following the three (3) steps below:
 - Step #1 - Turn trimpot screw clockwise until L.E.D. lights up.
 - Step #2 - Turn screw counterclockwise until L.E.D. just goes out.
 - Step #3 - Turn screw counterclockwise two (2) full turns.

12. Replace "P.C. Board Housing - Cover." (If necessary, reconnect the "Phonejack / Mode Button" harness to control board before doing so.)

Note: The "Interface Board" will not be mounted to any surface, but will hang from its connector.

**ANY QUESTIONS??? CONTACT ROYAL VENDORS' CUSTOMER SERVICE DEPARTMENT
CALL TOLL FREE (800) 931-9214**



SERVICE BULLETIN # 00118

201 INDUSTRIAL BOULEVARD • KEARNEYSVILLE, WV 25430
Phone: (304) 728-7056 • Fax: (304) 725-6579 • Toll Free: (800) 931-9214

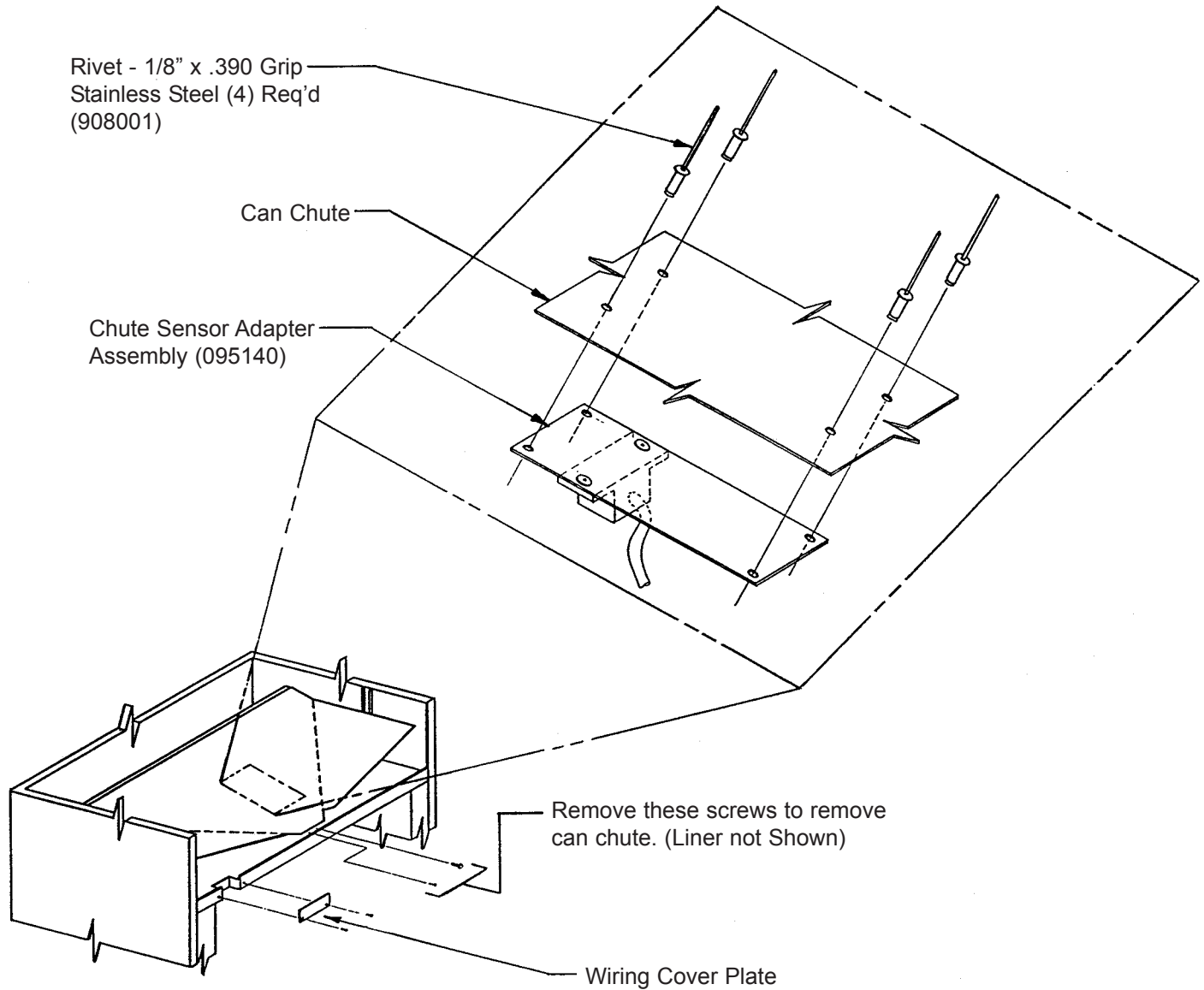
PAGE: 2 of 3

DATE: 6-19-02

REVISION: 03

SUBJECT: Installation of Chute Sensor Adaptor

MODELS: GII Venders with Serial Numbers 1300-0000 and Before



**ANY QUESTIONS??? CONTACT ROYAL VENDORS' CUSTOMER SERVICE DEPARTMENT
CALL TOLL FREE (800) 931-9214**



SERVICE BULLETIN # 00118

201 INDUSTRIAL BOULEVARD • KEARNEYSVILLE, WV 25430
Phone: (304) 728-7056 • Fax: (304) 725-6579 • Toll Free: (800) 931-9214

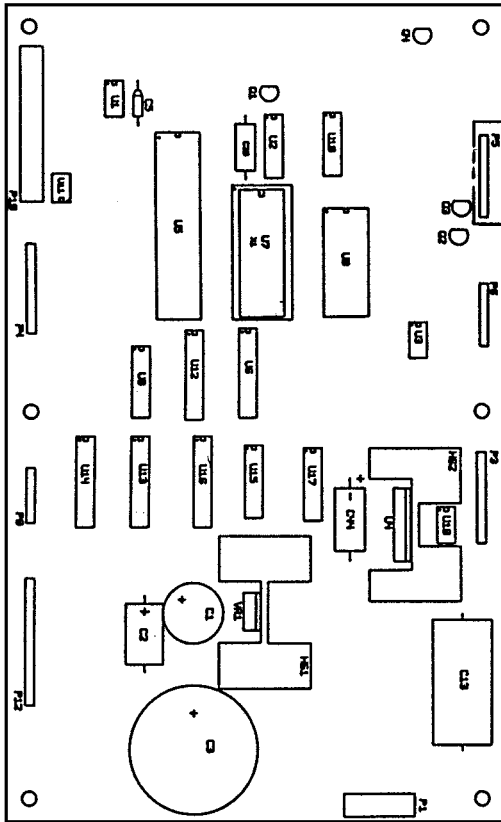
PAGE: 3 of 3

DATE: 6-19-03

REVISION: 03

SUBJECT: Installation of Chute Sensor Adaptor

MODELS: GII Venders with Serial Numbers 1300-0000 and Before



Home Sensor
Door Switch
& Delivery
Chute Sensor

Interface Board
(836078)

L.E.D. Light

Home Sensor / Door Switch / Chute Sensor Harness

Ground Lead

Chute Sensor Adapter Ass'y Harness

Trimpot Screw
(On Bottom)

Trimpot

**ANY QUESTIONS??? CONTACT ROYAL VENDORS' CUSTOMER SERVICE DEPARTMENT
CALL TOLL FREE (800) 931-9214**