



SERVICE BULLETIN # 00117

201 INDUSTRIAL BOULEVARD • KEARNEYSVILLE, WV 25430

Phone: (304) 728-7056 • Fax: (304) 725-6579 • Toll Free: (800) 931-9214

PAGE: 1 of 1

DATE: 8-18-00

REVISION: 02

SUBJECT: Installation of Can Shim / Can Spacer for 330ML Water Bottle

MODELS: 510 & 609 (16 oz. Narrow Column Venders Only)

KIT NUMBER

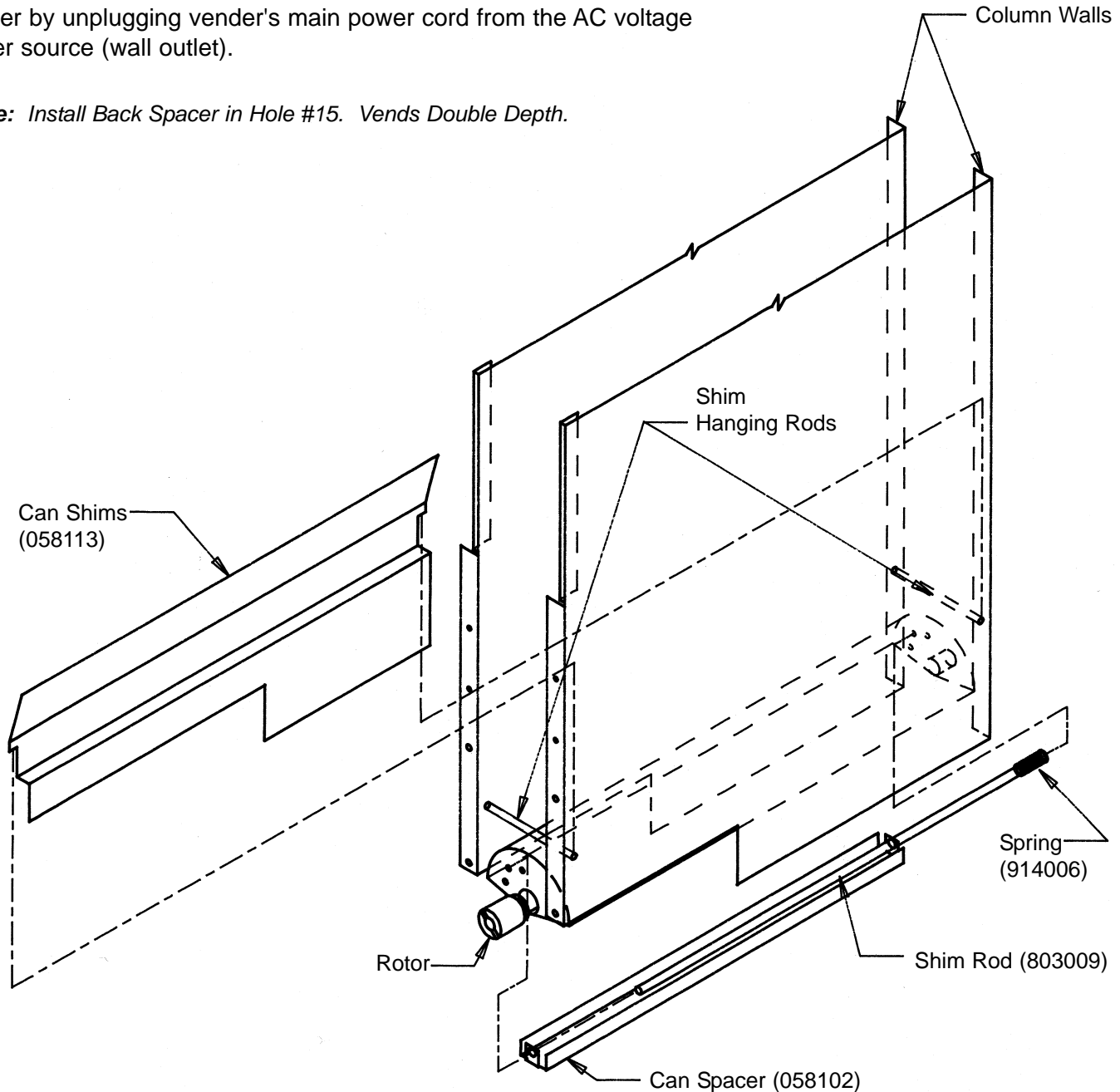
KIT DESCRIPTION

058131

Can Shim / Can Spacer (510 & 609)

BEFORE WORKING ON VENDER: Remove power from vender by unplugging vender's main power cord from the AC voltage power source (wall outlet).

Note: Install Back Spacer in Hole #15. Vends Double Depth.



ANY QUESTIONS??? CONTACT ROYAL VENDORS' CUSTOMER SERVICE DEPARTMENT
CALL TOLL FREE (800) 931-9214