



# SERVICE BULLETIN # 00112

201 INDUSTRIAL BOULEVARD • KEARNEYSVILLE, WV 25430

Phone: (304) 728-7056 • Fax: (304) 725-6579 • Toll Free: (800) 931-9214

PAGE: 1 of 4

DATE: 6-19-02

REVISION: 04

**SUBJECT:** Installation Instructions for Converting a Merlin 2000 to a Merlin III Vender

**MODELS:** All Merlin 2000 Venders

# of People  
Required



**KIT NUMBER**

**KIT DESCRIPTION**

141106      Version 10.07 Conversion Kit

012153      Version 11.06 Conversion Kit

**TOOLS REQUIRED:** Phillips screwdriver

**ESTIMATED TIME:** 45 minutes

### Instructions:



The following areas of this vender contain voltage, which can cause serious injury or even death. The main power cord, supplying 110 VAC to the evaporator, EMI filter, and refrigeration system. The power line from the EMI filter to the ballast and transformer. The ballast can produce upwards of 600 volts. Remove power from vender before working in any of these areas.

1. Unplug vender
2. Remove circuit board cover.
3. Unplug all connections to circuit board. Replace the (5) existing P.C. Board Spacers (916027) with new ones supplied with kit. Take (2) remaining spacers and cut off the back. (This would be the part that would be stuck through the sheet metal hole.) Place the (2) in the TOP two mounting holes of the circuit board. This will keep the back of the circuit board from contacting metal in the event of being bent. Place Merlin III Board into position.
4. Prior to replugging existing or new harnesses to Merlin III circuit board, refer to programming instructions for proper positioning. Take one of the following:
  - A. If planning to use the existing "L" changer (dumb mech.), the existing changer plug harness in vendor can be used with the new Merlin III Circuit Board. If planning to install a "Multi-Drop Bus" changer, "Harness Assembly - Changer" (842079) must be ordered separately for use with the Merlin III.
  - B. Plug "Refrigeration control Relay Harness - Door" (141904) into position on board. (Refer to accompanying diagram and programming instructions.) Run harness along existing Main Door Harness to bottom of door.
5. Remove Can Chute and clips that secure Evaporator Cover. Remove Evaporator Cover. Locate approximate mounting position for "Temperature Sensor" (822030) in back of tank. (Refer to accompanying diagram.) Mounting position should be relative to Evaporator Fan Motor and slightly above the top of Fan Shroud Assembly taking care that the harness does not have a chance to come into contact with evaporator fan blade. Using (2) #8-32 Self-Drilling Screws (902004), mount sensor to desired position. Run harness through hole in Fan Shroud (with Evaporator Fan Motor powerleads), through tank "hat section", along Cabinet/Main Door harnesses to circuit board. Plug to board. (Refer to accompanying diagram and programming instructions for proper position.) Replace Evaporator Cover with clips and Can Chute.
6. Locate approximate position on Support Channel (bottom of cabinet) to mount "Temperature Control Relay" (836065). Using (2) #8-32 Self-drilling screws (902004), mount to desired position. Plug "Refrigeration Control Relay Harness - Cabinet" to mating harness from door side (See Step 4-B). Plug terminal to Refrigeration Control Relay". Unplug powerleads from existing thermostat in tank. "Remove thermostat. Replug powerlead to "refrigeration Control Relay". (Refer to accompanying diagrams.)
7. Make Sure all connections to circuit board are secure and mount "Circuit Board Cover" (141903) using screws that were used to secure previously used board cover. Program per instructions enclosed.

**ANY QUESTIONS??? CONTACT ROYAL VENDORS' CUSTOMER SERVICE DEPARTMENT  
CALL TOLL FREE (800) 931-9214**



# SERVICE BULLETIN # 00112

201 INDUSTRIAL BOULEVARD • KEARNEYSVILLE, WV 25430  
Phone: (304) 728-7056 • Fax: (304) 725-6579 • Toll Free: (800) 931-9214

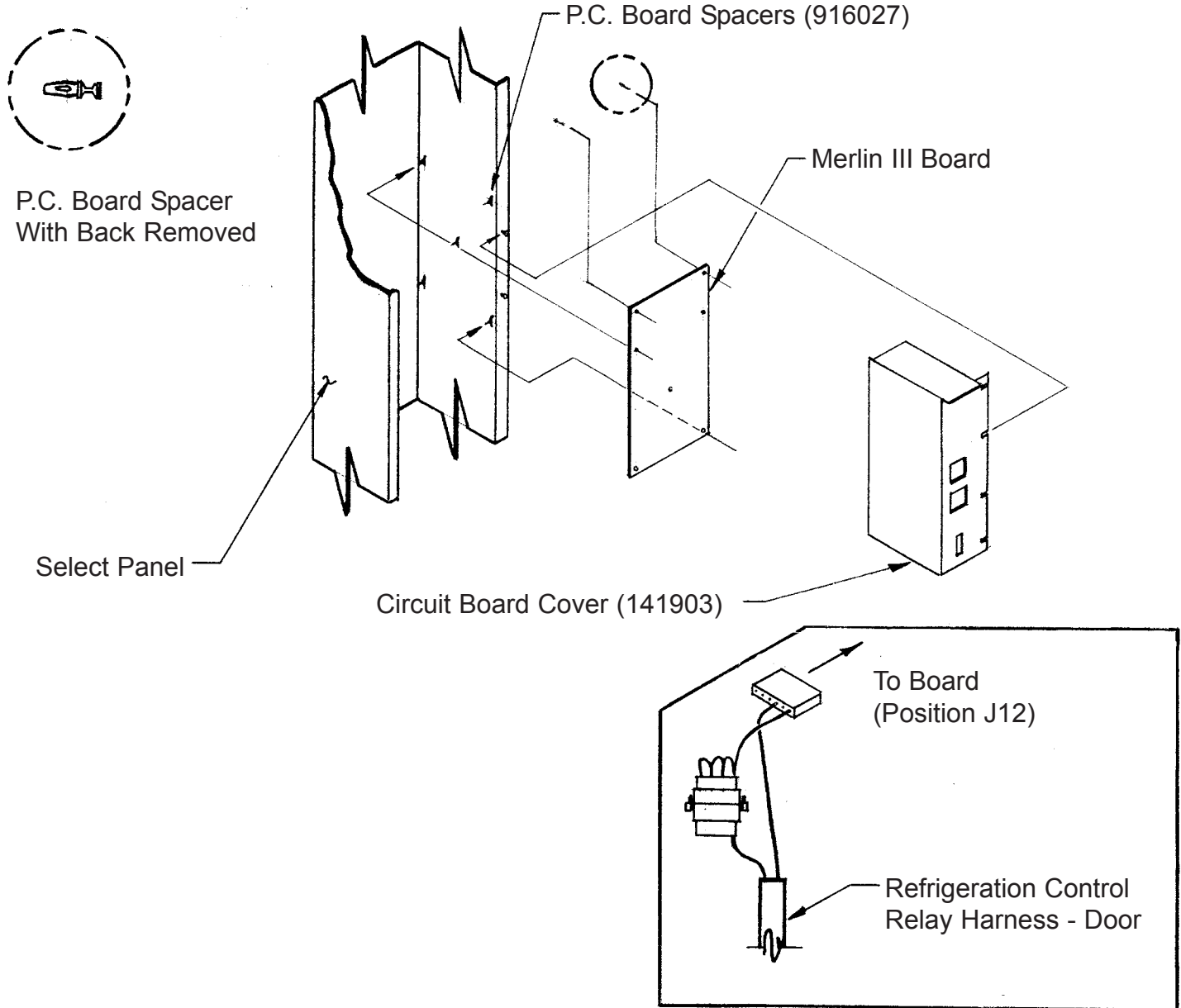
PAGE: 2 of 4

DATE: 6-19-02

REVISION: 04

**SUBJECT:** Installation Instructions for Converting a Merlin 2000 to a Merlin III Vender

**MODELS:** All Merlin 2000 Venders



**ANY QUESTIONS??? CONTACT ROYAL VENDORS' CUSTOMER SERVICE DEPARTMENT  
CALL TOLL FREE (800) 931-9214**



# SERVICE BULLETIN # 00112

201 INDUSTRIAL BOULEVARD • KEARNEYSVILLE, WV 25430  
Phone: (304) 728-7056 • Fax: (304) 725-6579 • Toll Free: (800) 931-9214

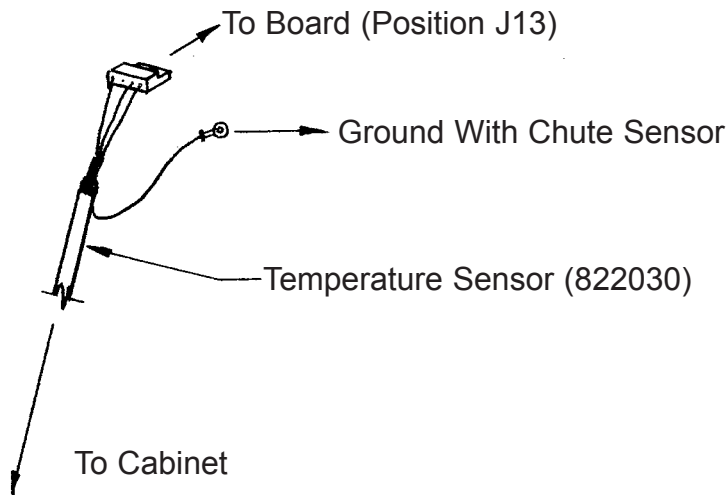
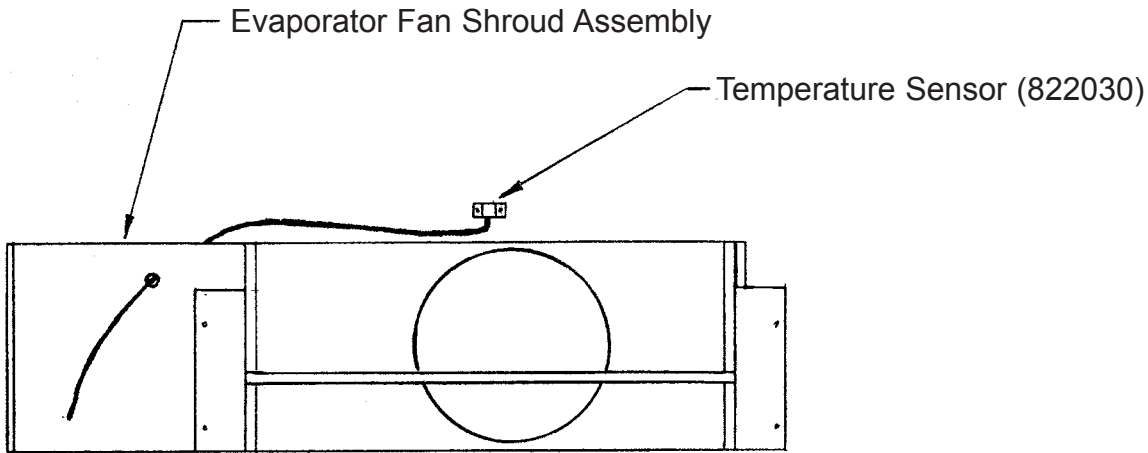
PAGE: 3 of 4

DATE: 6-19-02

REVISION: 04

**SUBJECT:** Installation Instructions for Converting a Merlin 2000 to a Merlin III Vender

**MODELS:** All Merlin 2000 Venders



**ANY QUESTIONS??? CONTACT ROYAL VENDORS' CUSTOMER SERVICE DEPARTMENT  
CALL TOLL FREE (800) 931-9214**



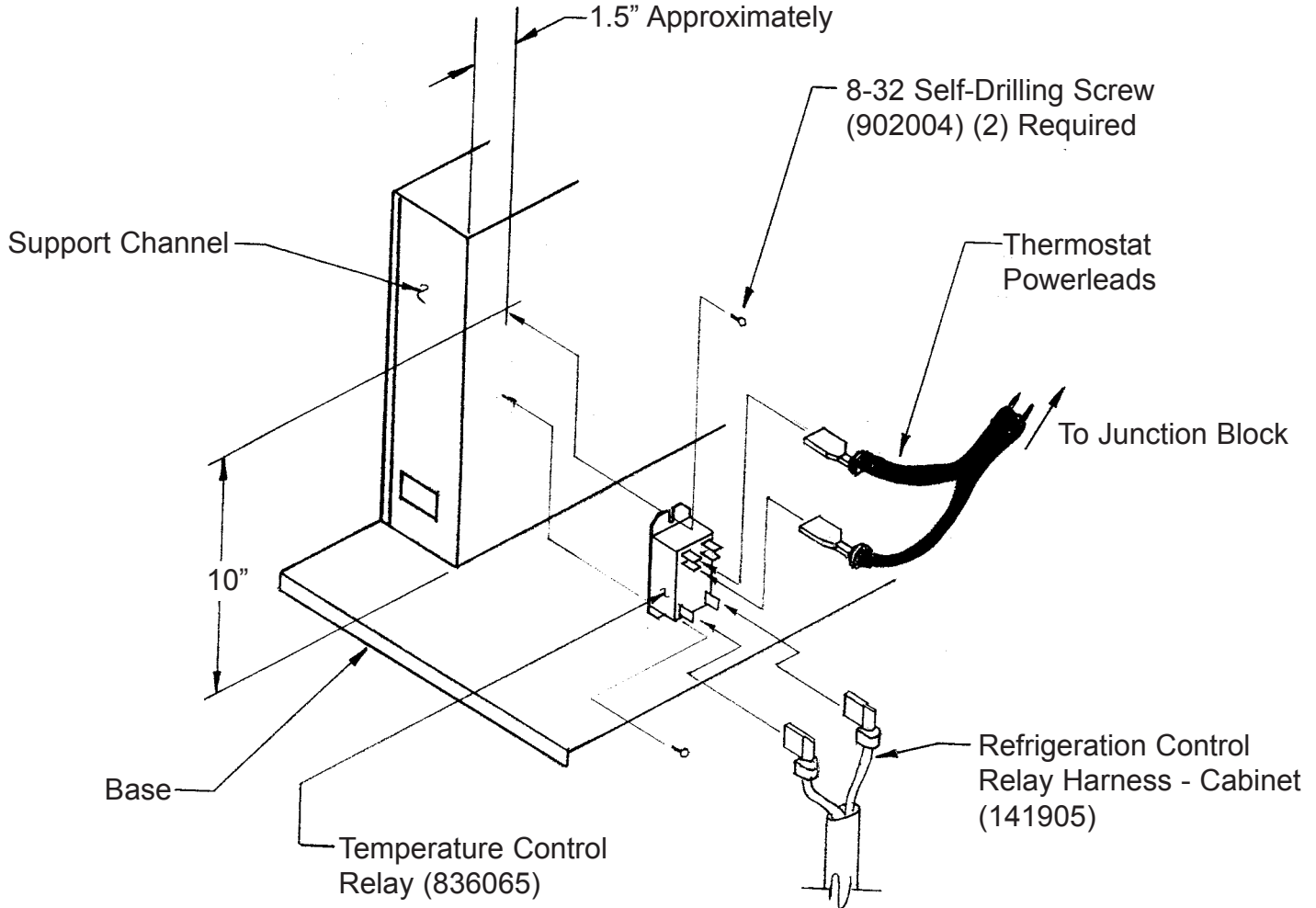
# SERVICE BULLETIN # 00112

201 INDUSTRIAL BOULEVARD • KEARNEYSVILLE, WV 25430  
Phone: (304) 728-7056 • Fax: (304) 725-6579 • Toll Free: (800) 931-9214

PAGE: 4 of 4
DATE: 6-19-02
REVISION: 04

**SUBJECT:** Installation Instructions for Converting a Merlin 2000 to a Merlin III Vender

**MODELS:** All Merlin 2000 Venders



**ANY QUESTIONS??? CONTACT ROYAL VENDORS' CUSTOMER SERVICE DEPARTMENT  
CALL TOLL FREE (800) 931-9214**