



Helpful Hints 0010

clear & easy

201 INDUSTRIAL BOULEVARD • KEARNEYSVILLE, WV 25430
Phone: (304) 728-7056 • Fax: (304) 725-6579 • Toll Free: (800) 931-9214

PAGE: 1 of 1

DATE: 8-13-01

REVISION: 01

SUBJECT: Removing the Main Sign from a Marketing Vender

of People
Required



MODELS: Marketing Vender

ESTIMATED TIME: 15 minutes

Tools Needed:

Utility Knife
Caulk Gun w/ black caulk
11/32 Socket Wrench

Instructions:

1. Power down vender.
2. Remove all of the nuts on the top piece of trim
3. Loosen the top few nuts holding the left, right, and center trim on the inside of the door to allow you to remove the top trim. **(If you have snap-on trim, you only have to loosen the center trim)**
4. Cut the silicon caulk on top of the trim on the outside of the vender while pulling the trim away from the vender.
5. Once the top piece of trim is off of the vender, scrape any caulk that remains on the trim or the vender; then slide the main sign out of the top of the vender.
6. Slide the new sign down in the grooves of the trim and be sure that it goes into the bottom piece of trim.
7. Install the top trim by lining up the t-bolts with the existing holes on the door frame.
8. Secure the sign by tightening all of the nuts and replace the caulk that was removed earlier.

Top Trim (remove nuts)

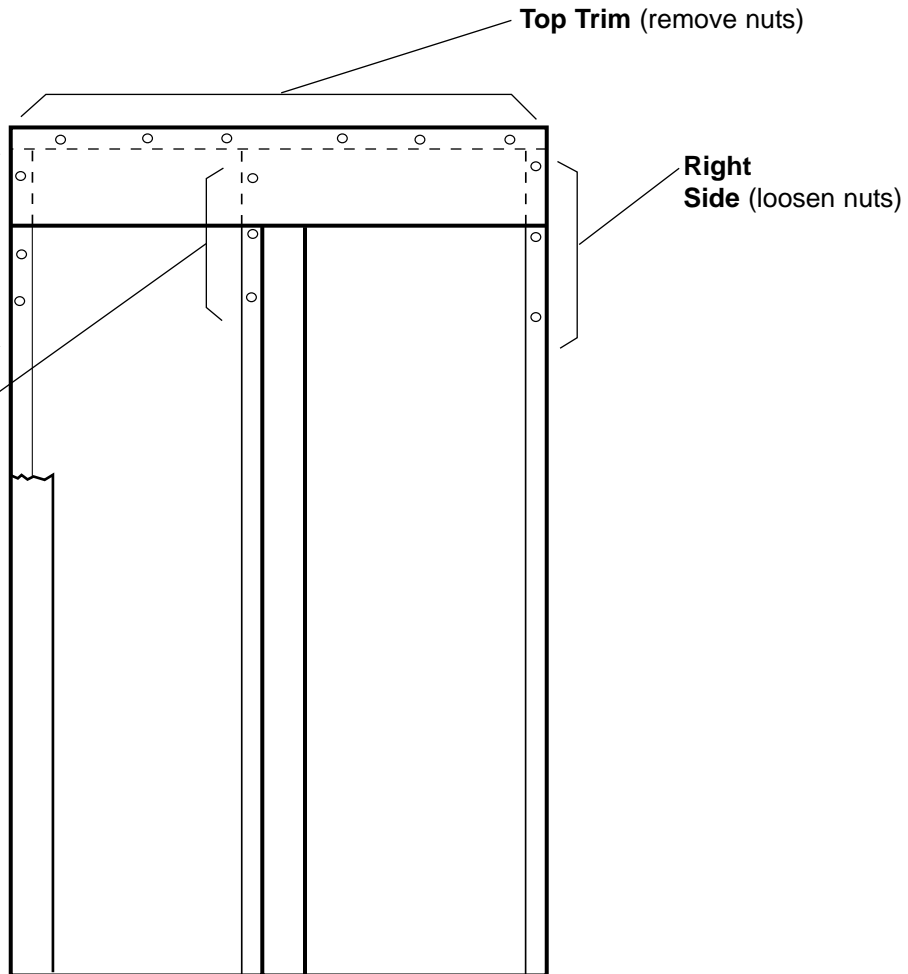
Left Trim
(loosen nuts)

Right Side
(loosen nuts)

Center Trim
(loosen nuts)

Rear View of Marketing Door

Figure 1



**ANY QUESTIONS??? CONTACT ROYAL VENDORS' CUSTOMER SERVICE DEPARTMENT
CALL TOLL FREE (800) 931-9214**