



SERVICE BULLETIN # 00101

201 INDUSTRIAL BOULEVARD • KEARNEYSVILLE, WV 25430

Phone: (304) 728-7056 • Fax: (304) 725-6579 • Toll Free: (800) 931-9214

PAGE: 1 of 1

DATE: 8-18-00

REVISION: 02

SUBJECT: Installation of Shim Rod Channel

MODELS: Electro-Mechanical Venders (Except GII Venders)

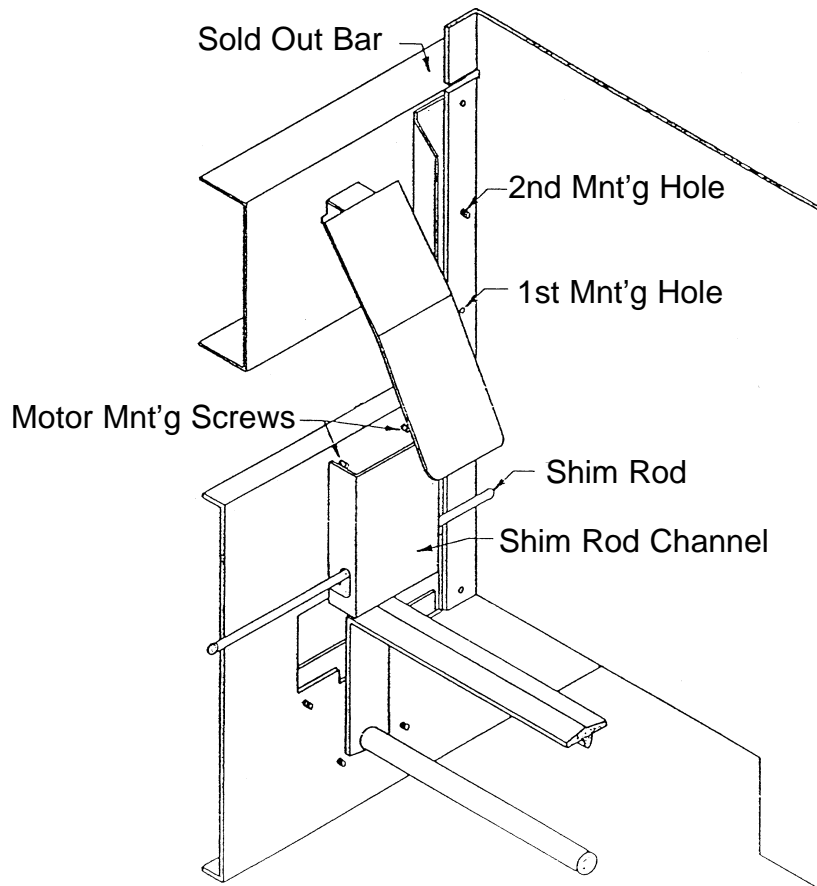
KIT NUMBER	KIT DESCRIPTION
------------	-----------------

012148	Shim Rod Channel
--------	------------------

BEFORE WORKING ON VENDER: Remove power from vender by unplugging vender's main power cord from the AC voltage power source (wall outlet).

Instructions:

1. Remove sold-out bar from the 1st mounting hole and relocate to the 2nd mounting hole (2 1/16" higher).
2. Hang shim rod channel onto the shim rod using the "L" shaped slot. Make sure the channel is centered over the motor mounting screws in the wide columns. (Not Necessary in the Narrow Columns)
3. Shim rod channel will prevent product from hanging up on the shim rod.



ANY QUESTIONS??? CONTACT ROYAL VENDORS' CUSTOMER SERVICE DEPARTMENT
CALL TOLL FREE (800) 931-9214