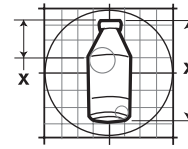




# 178 Package Vending Specification

426 Industrial Boulevard • Kearneysville WV 25430-2776 • USA  
Telephone: +1 304 728 7056 • technicalinquiry@royalvenders.com  
Toll-free in North America: 1 800 931 9214 • Fax: +1 304 725 4016  
Canada: +1 905 738 5777 • Mexico: +52 55 5203 6887  
Europe: +49 2158 95 1000 • Australia: +61 2 9890 5433



Page: 1 of 1

Date: 5 Dec 2011

Revision: 00

**PRODUCT NAME:** Honest ade  
**BOTTLER / COMPANY:** Honest Tea, Inc.  
**VOLUME:** 16.9 oz. / 500 mL  
**PACKAGE TYPE:** PETE  
**HEIGHT:** 7.51 in. / 190.7 mm  
**DIAMETER:** 2.72 in. / 69.1 mm  
**WEIGHT:** 1.20 lbs. / 0.54 kg  
**COUNTRY OF ORIGIN:** USA



APPROVED VENDERS				
VENDER	RETAINERS		79" CAPACITY	
	Front	Rear	Front	Rear
GIII	10	6	30	30
TDV	9	12	30	60
RVV NG	N/A	N/A	8	N/A

**KITS / PARTS:** No kits required.

## **INSTALLATION INSTRUCTIONS**

**Note:** Before working on vender, always remove power by unplugging the vender's main power cord from the AC voltage source (outlet).

### **GIII:**

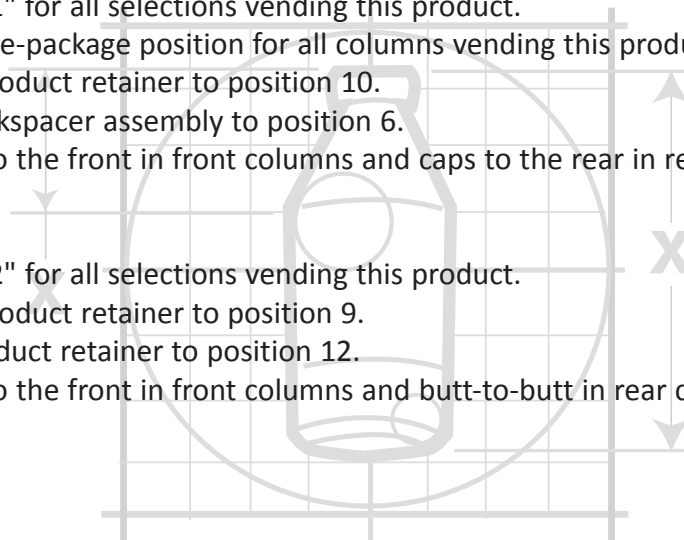
1. Set selection depth to "1" for all selections vending this product.
2. Set product stops to large-package position for all columns vending this product.
3. FRONT COLUMN: Set product retainer to position 10.  
REAR COLUMN: Set backspacer assembly to position 6.
4. Load bottles with caps to the front in front columns and caps to the rear in rear columns.

### **TDV:**

1. Set selection depth to "2" for all selections vending this product.
2. FRONT COLUMN: Set product retainer to position 9.  
REAR COLUMN: Set product retainer to position 12.
3. Load bottles with caps to the front in front columns and butt-to-butt in rear columns.

### **RVV NG:**

No special instructions.



**ANY QUESTIONS? CONTACT ROYAL VENDORS' CUSTOMER SERVICE DEPARTMENT  
IN NORTH AMERICA, CALL TOLL FREE 1 800 931 9214**