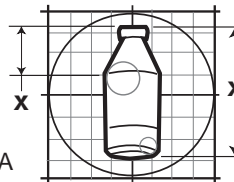




# 149

# Package Vending Specification



Page: 1 of 2

Date: 26 Mar 08

Revision: 00

426 Industrial Boulevard • Kearneysville WV 25430-2776 • USA

Telephone: +1 304 728 7056 • Fax: +1 304 725 4016 • www.royalvendors.com

**PRODUCT NAME:** Gatorade Tiger bottle  
**BOTTLER / COMPANY:** The Gatorade Company  
**VOLUME:** 16.9 oz. / 500 mL  
**PACKAGE TYPE:** PET  
**HEIGHT:** 8.39 in. / 213.1 mm  
**DIAMETER:** 2.61 in. / 66.3 mm  
**WEIGHT:** 1.20 lbs. / 0.54 kg  
**COUNTRY OF ORIGIN:** USA

### APPROVED VENDERS

VENDER	RETAINERS		79" CAPACITY	
	Front	Rear	Front	Rear
MIV Airflow*	7	6	32	32
MIV (regular)	8	7	32	32
TDV	6	6	32	66
RVV NG	N/A	N/A	8	N/A

\* - Serial number 200422XX00001 and after.



**KITS / PARTS:** Merlin IV: FRONT COLUMNS: 815214 Small Package Extrusion (2 per front column); REAR COLUMNS: Product Retainers (79": Right 810092, Left 810093; 72": Right 810094, Left 810095). TDV: None required. RVV NG: None required.

## INSTALLATION INSTRUCTIONS

**Note:** Before working on vender, always remove power by unplugging the vender's main power cord from the AC voltage source (outlet).

### MERLIN IV:

- FRONT COLUMNS: Install the small package extrusions as shown in Figure 1. Place the product retainers in position 7 (Airflow) or position 8 (original style).
- REAR COLUMNS: Install one product retainer on each column wall in position 6 (Airflow) or position 7 (original style). (See Figure 2.) Place the backspacer assembly in position 1.
- Load bottles with caps to the front in front columns and caps to the rear in rear columns.

### TDV:

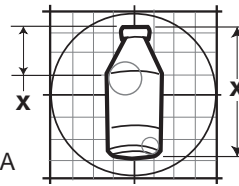
- FRONT COLUMNS: Place product retainers in position 6.  
REAR COLUMNS: Place the backspacer assembly in position 6.
- Load bottles with caps to the front in front columns and caps to the rear in rear columns.

**ANY QUESTIONS? CONTACT ROYAL VENDORS' CUSTOMER SERVICE DEPARTMENT  
 IN NORTH AMERICA, CALL TOLL FREE 1 800 931 9214**



# 149 Package Vending Specification

426 Industrial Boulevard • Kearneysville WV 25430-2776 • USA  
 Telephone: +1 304 728 7056 • Fax: +1 304 725 4016



Page: 2 of 2

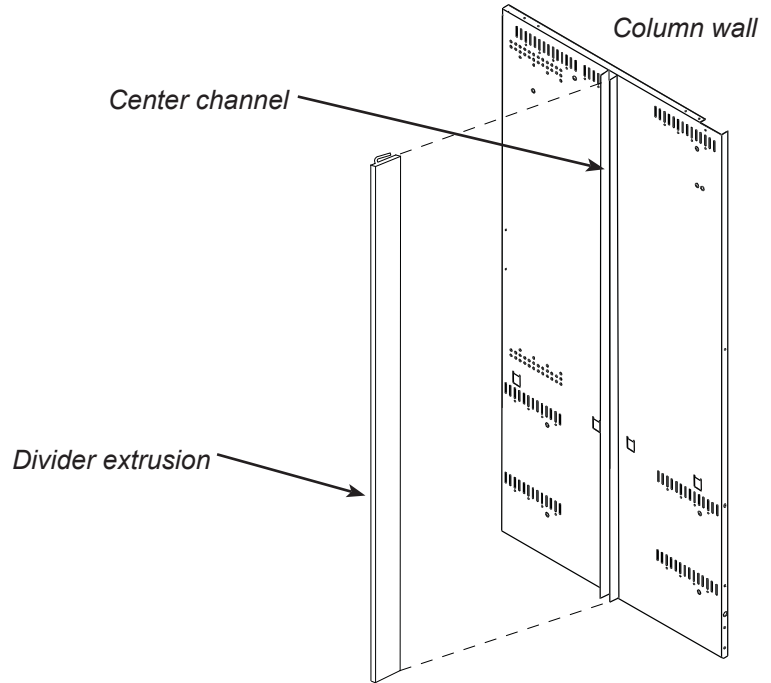
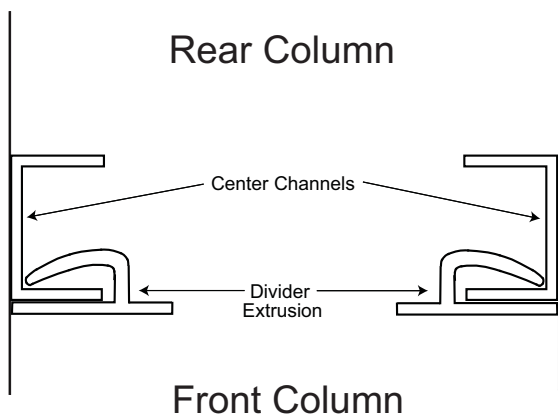
Date: 26 Mar 08

Revision: 00

**PRODUCT NAME:** Gatorade Tiger bottle

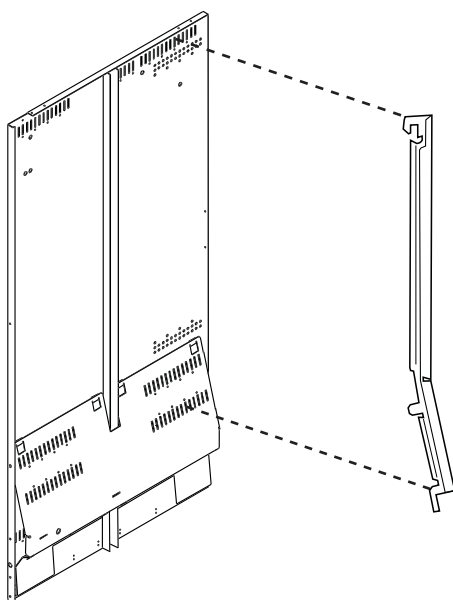
**Figure 1**

*Installing center divider extrusions*



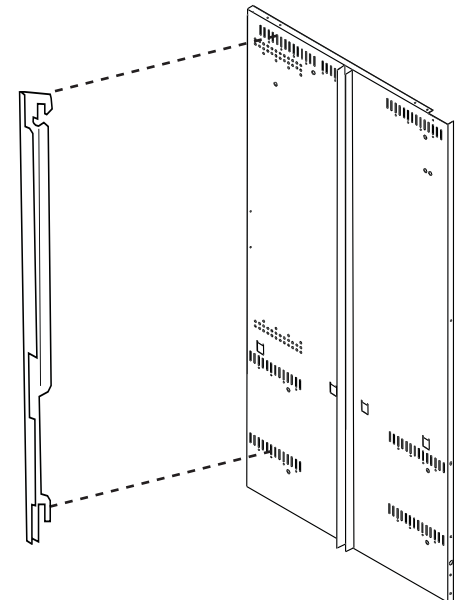
**Figure 2**

*Installing product retainers in rear columns*



*Left retainer*

*Right retainer*



**Retainer positions:**

- Position 6 (serial numbers beginning with 200422 and after)
- Position 7 (all serial numbers before 200422)

**ANY QUESTIONS? CONTACT ROYAL VENDORS' CUSTOMER SERVICE DEPARTMENT  
 IN NORTH AMERICA, CALL TOLL FREE 1 800 931 9214**