



SERVICE BULLETIN # 00009

201 INDUSTRIAL BOULEVARD • KEARNEYSVILLE, WV 25430

Phone: (304) 728-7056 • Fax: (304) 725-6579 • Toll Free: (800) 931-9214

PAGE: 1 of 1

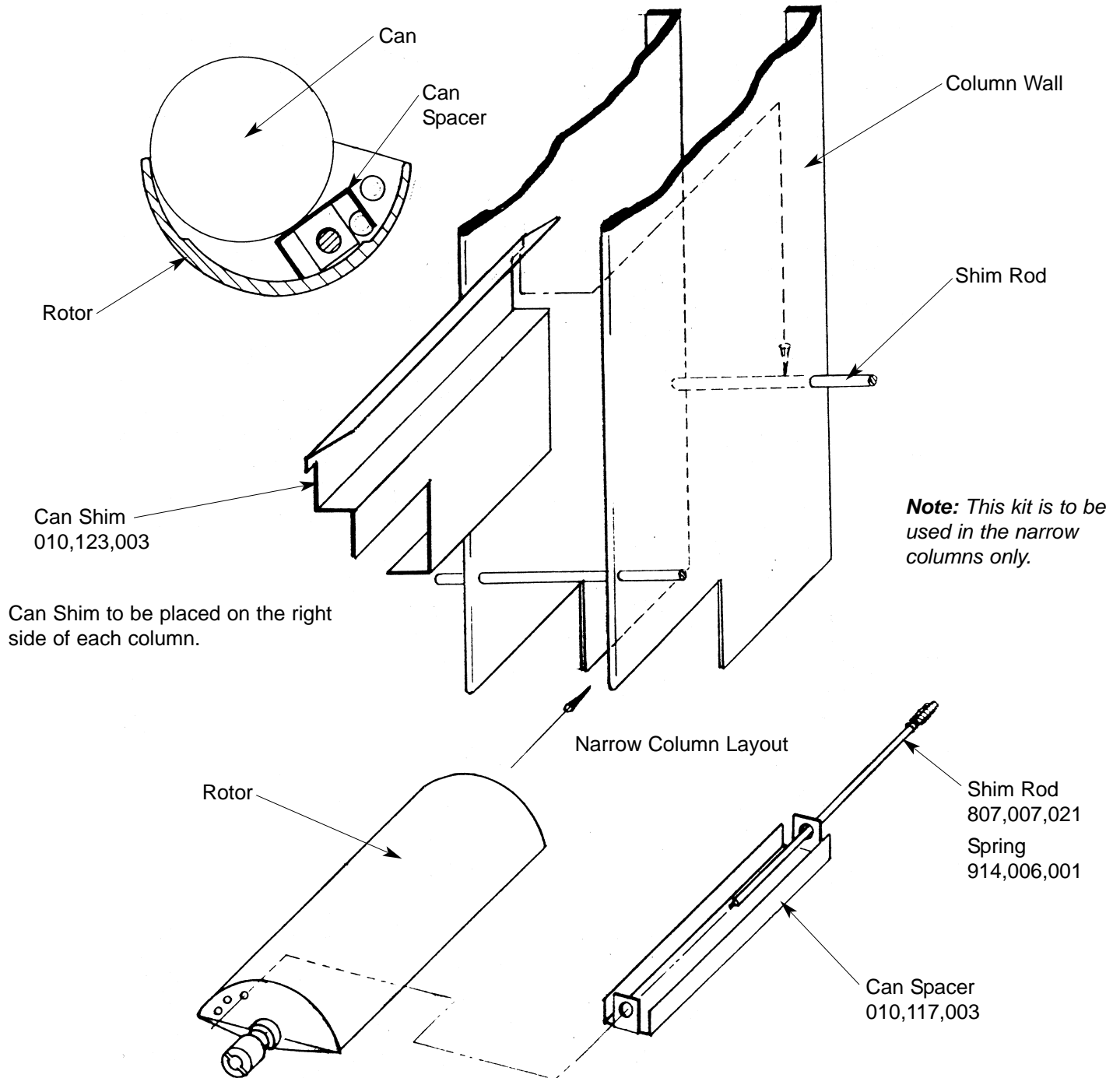
DATE: 8-16-00

REVISION: 02

SUBJECT: Can Shim / Can Spacer Installation for 250 ml cans for Kuwait

MODELS: Electro-Mechanical, Merlin 2000, Merlin III

BEFORE WORKING ON VENDER: Remove power from vender by unplugging vender's main power cord from the AC voltage power source (wall outlet).



ANY QUESTIONS??? CONTACT ROYAL VENDORS' CUSTOMER SERVICE DEPARTMENT
CALL TOLL FREE (800) 931-9214