



# SERVICE BULLETIN # 00069

201 INDUSTRIAL BOULEVARD • KEARNEYSVILLE, WV 25430

Phone: (304) 728-7056 • Fax: (304) 725-6579 • Toll Free: (800) 931-9214

PAGE: 1 of 5

DATE: 8-17-00

REVISION: 03

**SUBJECT:** Installation of 7.7 oz. Can Kit, 282-6 Vender

**MODELS:** Merlin 2000, Merlin III (282-6 Pepsi/Cold Drink)

**KIT NUMBER**

**KIT DESCRIPTION**

040103

7.7 oz. Can Kit (Pepsi/Cold Drink, 282-6)

**BEFORE WORKING ON VENDER:** Remove power from vender by unplugging vender's main power cord from the AC voltage power source (wall outlet).

### Instructions:

- 1- Place **BOTTOM BAIL LINER** (Part No. A825,036,011) on wide column oscillator as shown in diagram #3. Make sure slit in liner is facing the bottom of the machine. Using **WIRE TIES** (Part No. 916,007,011), secure Liner to oscillator. Place ties approximately 3 inches apart. Repeat for all four (3) wide columns.
- 2- Using an 1/8" drill bit, drill out rivets holding existing hinges for Mechanism Gate. Remove old gate. Using the **MECHANISM GATE HINGE** (Part No. A012,170,004), and a 1/8" dia. x .500" grip **POP RIVET**, place new hinge over old. These should be pointed in opposite directions. It may be desirable to do the top hinge first. **-NOTE- Use same position as old hinge position.** Place new **MECHANISM GATES (LARGE - Part no. C012,150,003 and SMALL - Part No. C012,160,003)** into position as shown in diagram #1. Place hinge pins in holes in horizontal channels and repeat the same procedure for the new hinges as instructed previously. Put gates into their closed positions and rivet new **LATCH - GATE** into appropriate position as shown in Diagram #1. **-NOTE- Large gate should swing same as old. Small gate should swing to the left.**
- 3- Remove Backspacer in each column. Place **SHIMS** in columns as shown in Diagram #2, replace backspacers.

### INSTRUCTIONS FOR NARROW COLUMNS

- 1- Place **SHIM HANGING ROD** (Part No. B803,007,021), **ROD SPRING** (Part No. 914,006,001), and **CAN SPACER** (Part No. B010,117,003) into appropriate hole in the rotor ends. See Diagram #4.
- 2- Place **6 oz./7.7 oz. CAN SHIM for NARROW COLUMN 2-DEEP/MERLIN** (Part No. B010,144,003) onto the shim hanging rod in mechanism stack on **right** side of column. See Diagram #4.

**-NOTE- THIS KIT WILL CONVERT AN ENTIRE 282-6 MERLIN PEPSI/COLD DRINK TO VEND OUT 7.7 oz. CANS ONLY. THIS KIT IS FOR A 376-8 MERLIN ONLY.**

**ANY QUESTIONS??? CONTACT ROYAL VENDORS' CUSTOMER SERVICE DEPARTMENT  
CALL TOLL FREE (800) 931-9214**



# SERVICE BULLETIN # 00069

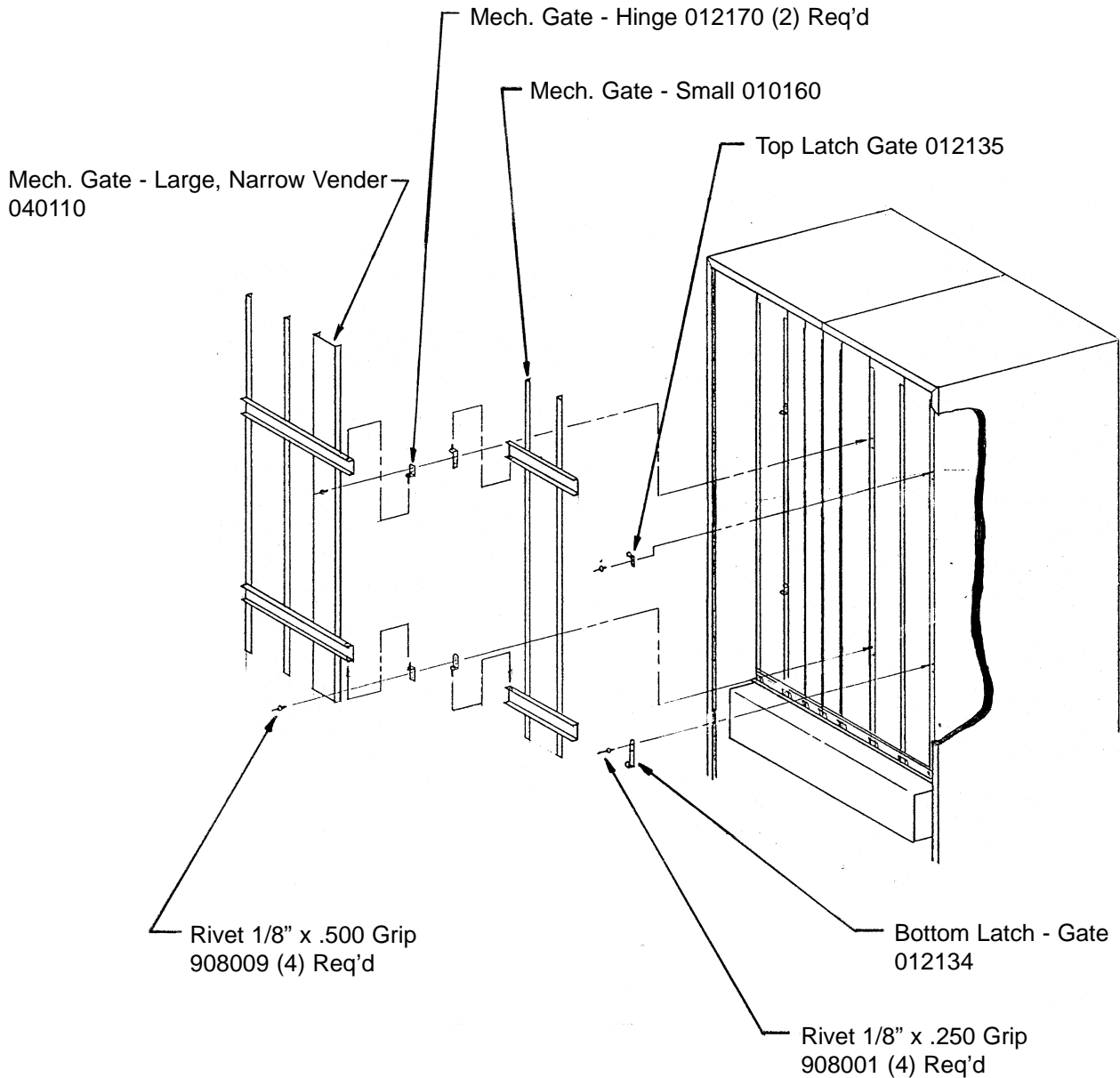
201 INDUSTRIAL BOULEVARD • KEARNEYSVILLE, WV 25430

Phone: (304) 728-7056 • Fax: (304) 725-6579 • Toll Free: (800) 931-9214

<b>PAGE:</b> 2 of 5
<b>DATE:</b> 8-17-00
<b>REVISION:</b> 03

**SUBJECT:** Installation of 7.7 oz. Can Kit, 282-6 Vender

**MODELS:** Merlin 2000, Merlin III (282-6 Pepsi/Cold Drink)



**ANY QUESTIONS??? CONTACT ROYAL VENDORS' CUSTOMER SERVICE DEPARTMENT  
CALL TOLL FREE (800) 931-9214**



# SERVICE BULLETIN # 00069

201 INDUSTRIAL BOULEVARD • KEARNEYSVILLE, WV 25430

Phone: (304) 728-7056 • Fax: (304) 725-6579 • Toll Free: (800) 931-9214

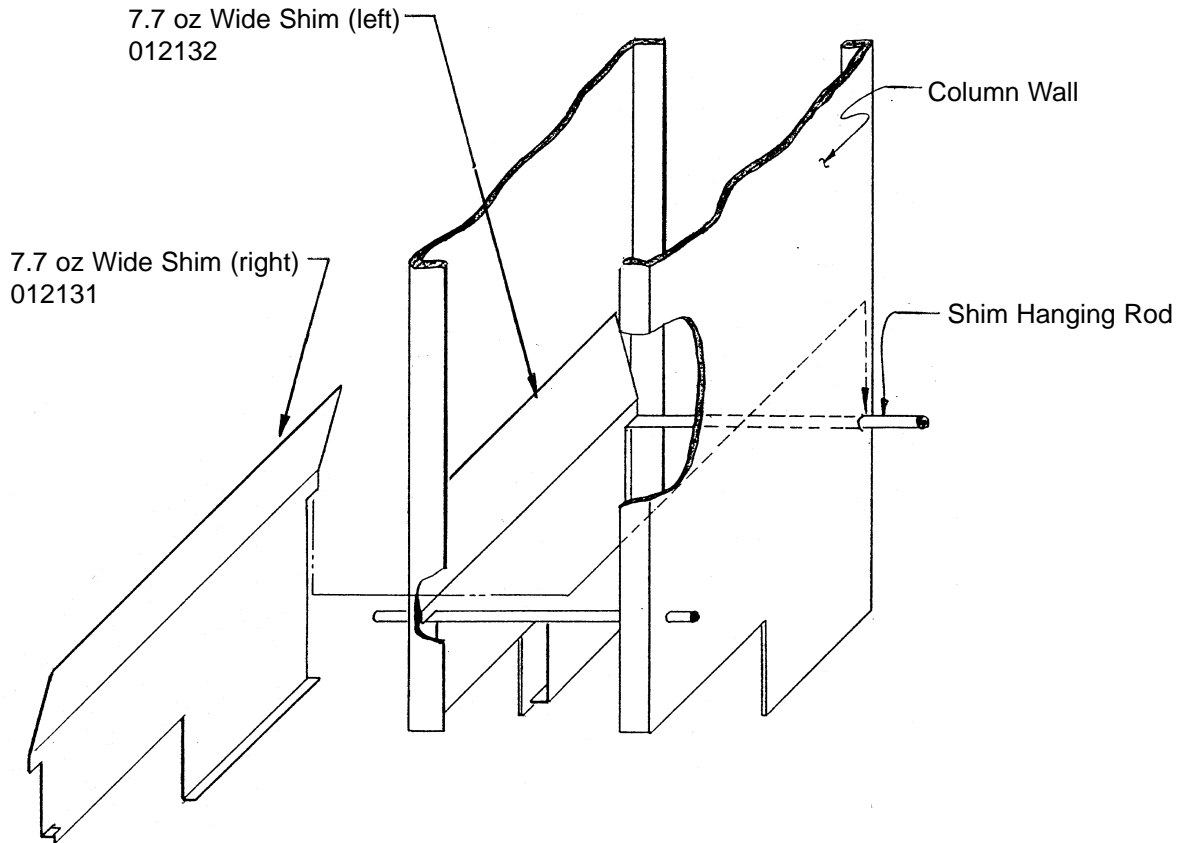
PAGE: 3 of 5

DATE: 8-17-00

REVISION: 03

**SUBJECT:** Installation of 7.7 oz. Can Kit, 282-6 Vender

**MODELS:** Merlin 2000, Merlin III (282-6 Pepsi/Cold Drink)



**Diagram 2**

**ANY QUESTIONS??? CONTACT ROYAL VENDORS' CUSTOMER SERVICE DEPARTMENT  
CALL TOLL FREE (800) 931-9214**



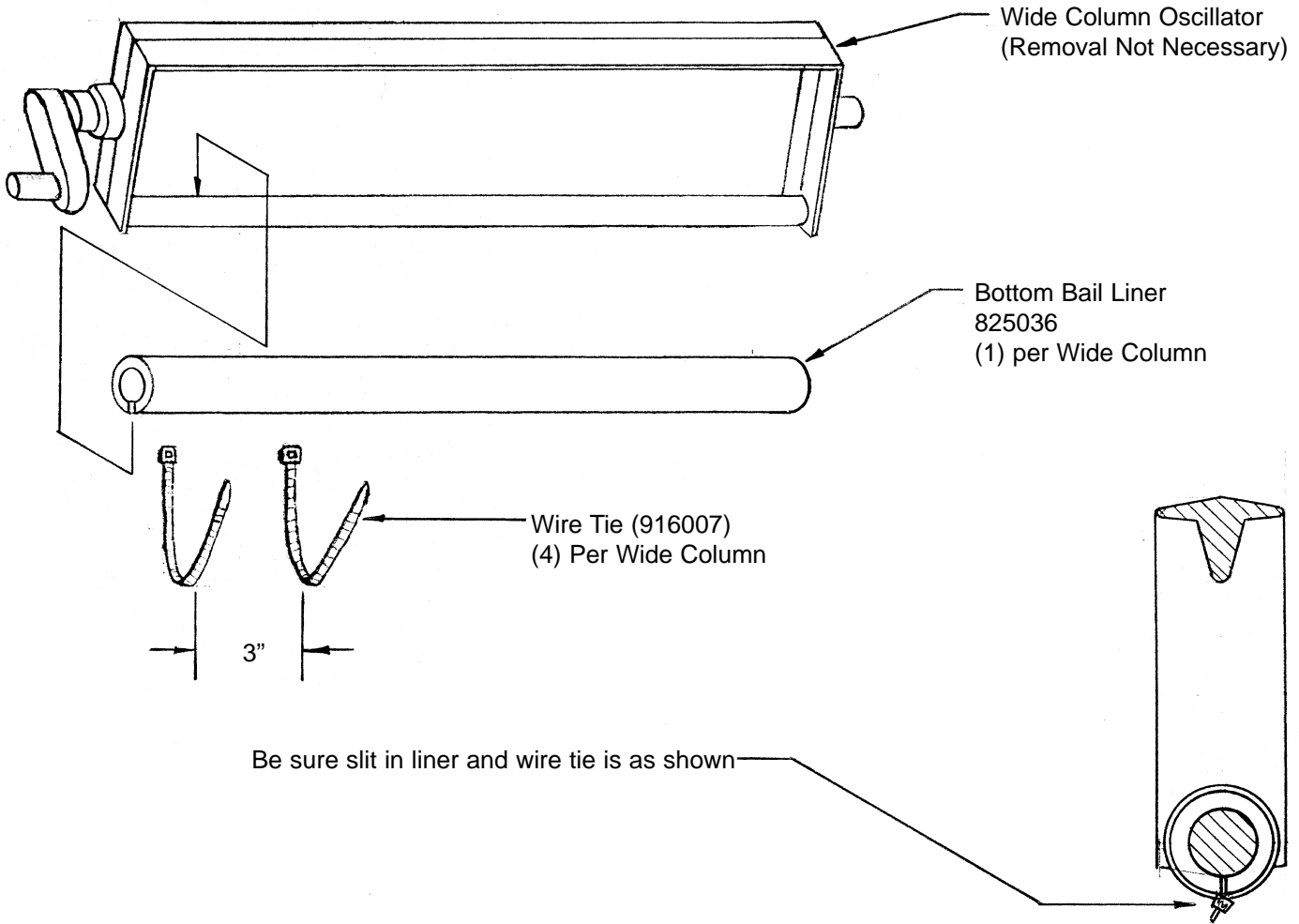
# SERVICE BULLETIN # 00069

201 INDUSTRIAL BOULEVARD • KEARNEYSVILLE, WV 25430  
Phone: (304) 728-7056 • Fax: (304) 725-6579 • Toll Free: (800) 931-9214

<b>PAGE:</b> 4 of 5
<b>DATE:</b> 8-17-00
<b>REVISION:</b> 03

**SUBJECT:** Installation of 7.7 oz. Can Kit, 282-6 Vender

**MODELS:** Merlin 2000, Merlin III (282-6 Pepsi/Cold Drink)



**DIAGRAM 3**

**ANY QUESTIONS??? CONTACT ROYAL VENDORS' CUSTOMER SERVICE DEPARTMENT  
CALL TOLL FREE (800) 931-9214**



# SERVICE BULLETIN # 00069

201 INDUSTRIAL BOULEVARD • KEARNEYSVILLE, WV 25430

Phone: (304) 728-7056 • Fax: (304) 725-6579 • Toll Free: (800) 931-9214

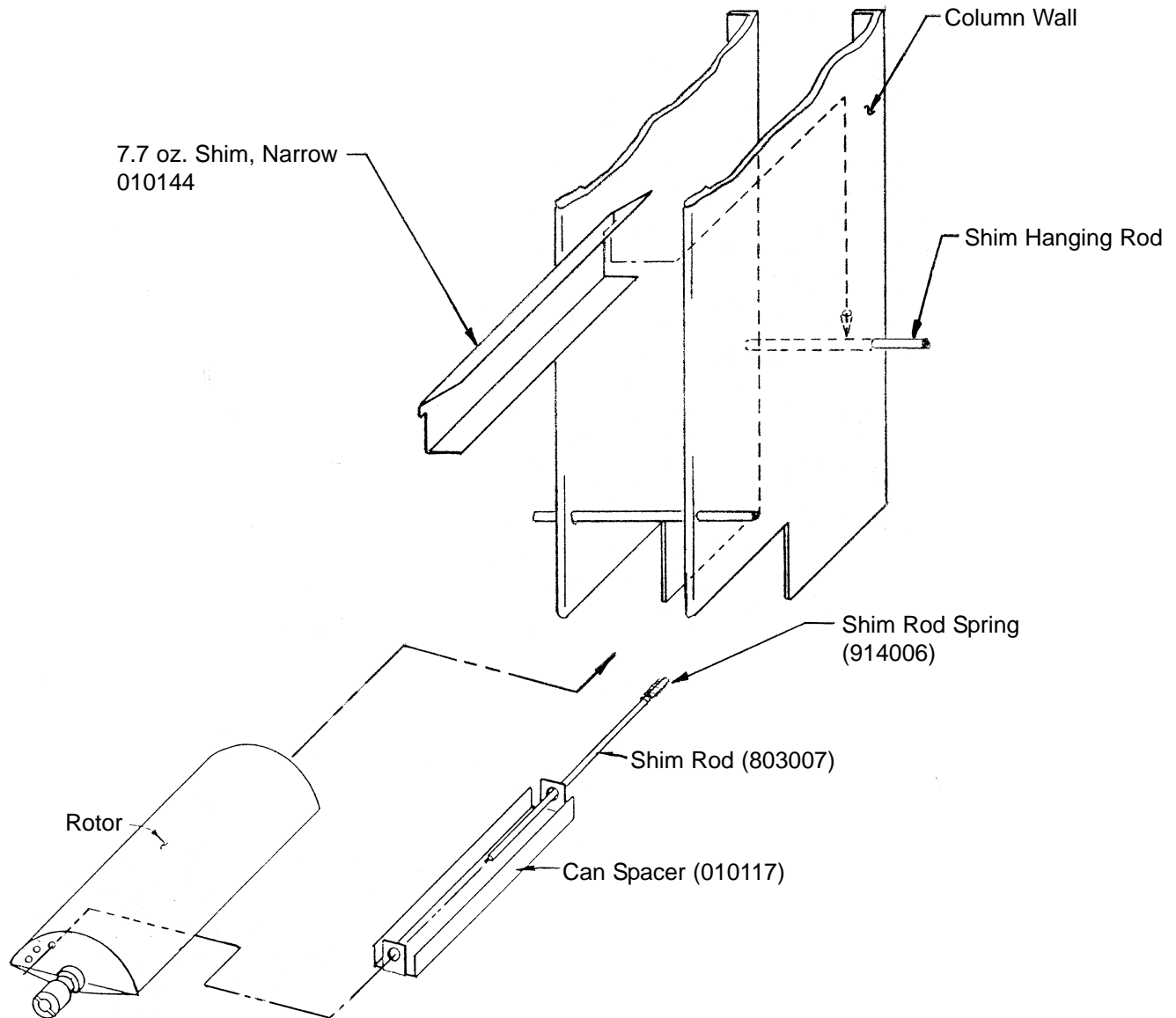
PAGE: 5 of 5

DATE: 8-17-00

REVISION: 03

**SUBJECT:** Installation of 7.7 oz. Can Kit, 282-6 Vender

**MODELS:** Merlin 2000, Merlin III (282-6 Pepsi/Cold Drink)



**DIAGRAM 4**

**ANY QUESTIONS??? CONTACT ROYAL VENDORS' CUSTOMER SERVICE DEPARTMENT  
CALL TOLL FREE (800) 931-9214**