



SERVICE BULLETIN # 00059

201 INDUSTRIAL BOULEVARD • KEARNEYSVILLE, WV 25430

Phone: (304) 728-7056 • Fax: (304) 725-6579 • Toll Free: (800) 931-9214

PAGE: 1 of 5

DATE: 8-17-00

REVISION: 03

SUBJECT: Installation of 7.7 oz. Can Kit

MODELS: Merlin 2000, Merlin III (376-8 Pepsi/Cold Drink)

KIT NUMBER	KIT DESCRIPTION
012137	7.7 oz. Can Kit (Pepsi/Cold Drink, 376-8)

BEFORE WORKING ON VENDER: Remove power from vender by unplugging vender's main power cord from the AC voltage power source (wall outlet).

Instructions:

- 1- Place **BOTTOM BAIL LINER** (Part No. A825,036,011) on wide column oscillator as shown in diagram #3. Make sure slit in liner is facing the bottom of the machine. Using **WIRE TIES** (Part No. 916,007,011), secure Liner to oscillator. Place ties approximately 3 inches apart. Repeat for all four (4) wide columns.
- 2- Using an 1/8" drill bit, drill out rivets holding existing hinges for Mechanism Gate. Remove old gate. Using the **MECHANISM GATE HINGE** (Part No. A012,170,004), and a 1/8" dia. x .500" grip **POP RIVET**, place new hinge over old. These should be pointed in opposite directions. It may be desirable to do the top hinge first. **-NOTE- Use same position as old hinge position.** Place new **MECHANISM GATES** (**LARGE** - Part no. C012,150,003 and **SMALL** - Part No. C012,160,003) into position as shown in diagram #1. Place hinge pins in holes in horizontal channels and repeat the same procedure for the new hinges as instructed previously. Put gates into their closed positions and rivet new **LATCH - GATE** into appropriate position as shown in Diagram #1. **-NOTE- Large gate should swing same as old. Small gate should swing to the left.**
- 3- Remove Backspacer in each column. Place **SHIMS** in columns as shown in Diagram #2, replace backspacers.

INSTRUCTIONS FOR NARROW COLUMNS

- 1- Place **SHIM HANGING ROD** (Part No. B803,007,021), **ROD SPRING** (Part No. 914,006,001), and **CAN SPACER** (Part No. B010,117,003) into appropriate hole in the rotor ends. See Diagram #4.
- 2- Place 6 oz./7.7 oz. **CAN SHIM** for **NARROW COLUMN 2-DEEP/MERLIN** (Part No. B010,144,003) onto the shim hanging rod in mechanism stack on **right** side of column. See Diagram #4.

-NOTE- THIS KIT WILL CONVERT AN ENTIRE 376-8 MERLIN PEPSI/COLD DRINK TO VEND OUT 7.7 oz. CANS ONLY. THIS KIT IS FOR A 376-8 MERLIN ONLY.

**ANY QUESTIONS??? CONTACT ROYAL VENDORS' CUSTOMER SERVICE DEPARTMENT
CALL TOLL FREE (800) 931-9214**



SERVICE BULLETIN # 00059

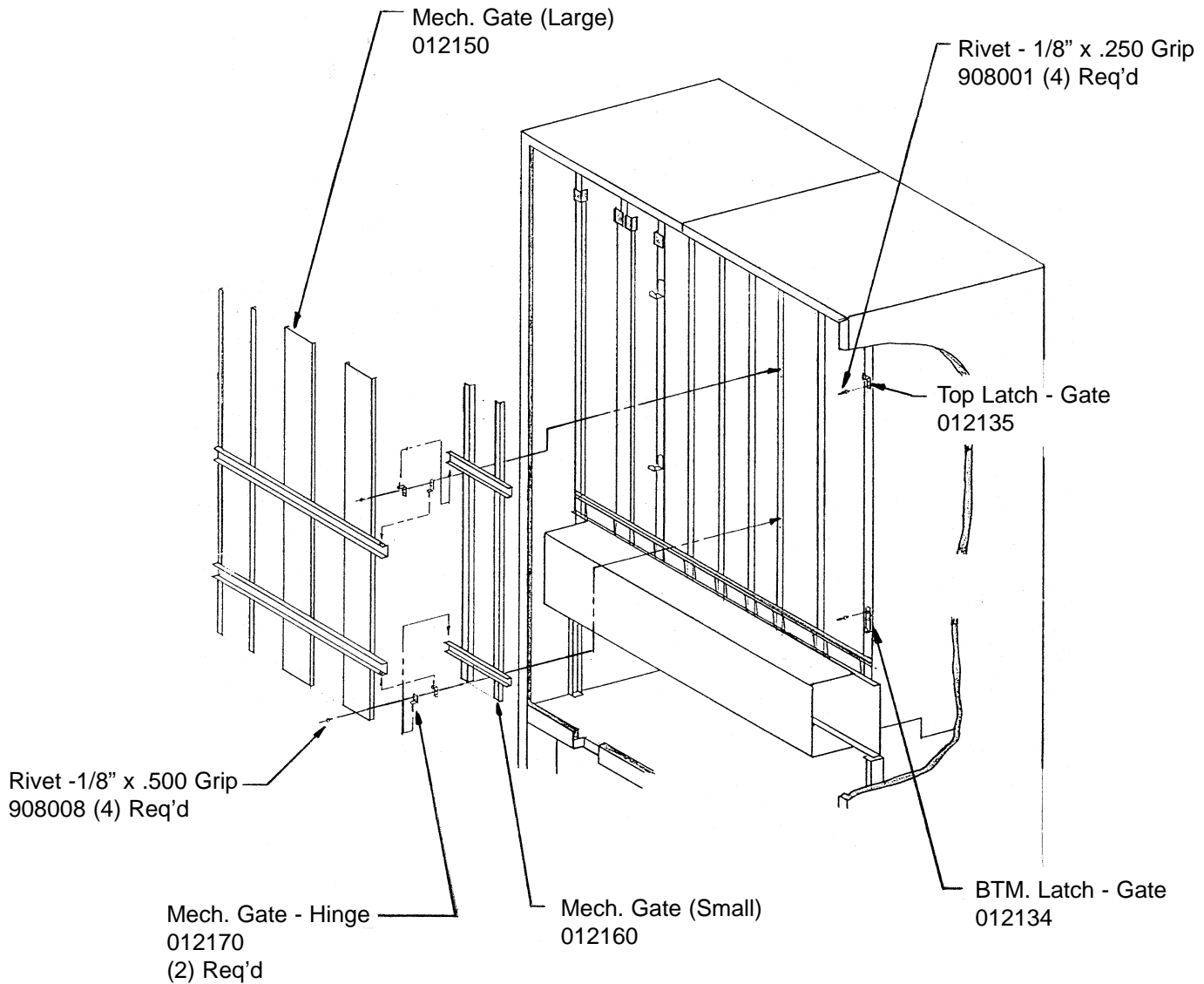
201 INDUSTRIAL BOULEVARD • KEARNEYSVILLE, WV 25430

Phone: (304) 728-7056 • Fax: (304) 725-6579 • Toll Free: (800) 931-9214

PAGE: 2 of 5
DATE: 8-17-00
REVISION: 03

SUBJECT: Installation of 7.7 oz. Can Kit

MODELS: Merlin 2000, Merlin III (376-8 Pepsi/Cold Drink)



**ANY QUESTIONS??? CONTACT ROYAL VENDORS' CUSTOMER SERVICE DEPARTMENT
CALL TOLL FREE (800) 931-9214**



SERVICE BULLETIN # 00059

201 INDUSTRIAL BOULEVARD • KEARNEYSVILLE, WV 25430

Phone: (304) 728-7056 • Fax: (304) 725-6579 • Toll Free: (800) 931-9214

PAGE: 3 of 5

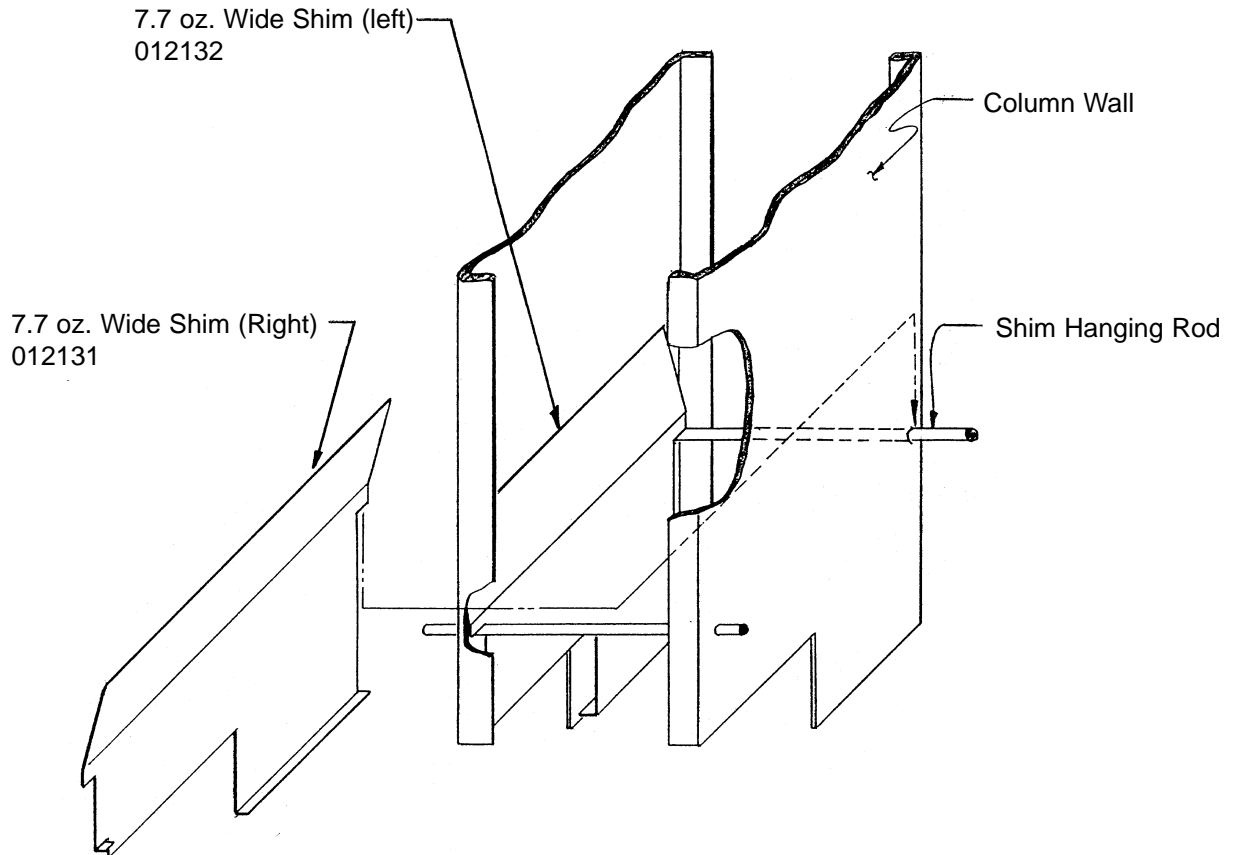
DATE: 8-17-00

REVISION: 03

SUBJECT: Installation of 7.7 oz. Can Kit

MODELS: Merlin 2000, Merlin III (376-8 Pepsi/Cold Drink)

DIAGRAM 2



**ANY QUESTIONS??? CONTACT ROYAL VENDORS' CUSTOMER SERVICE DEPARTMENT
CALL TOLL FREE (800) 931-9214**



SERVICE BULLETIN # 00059

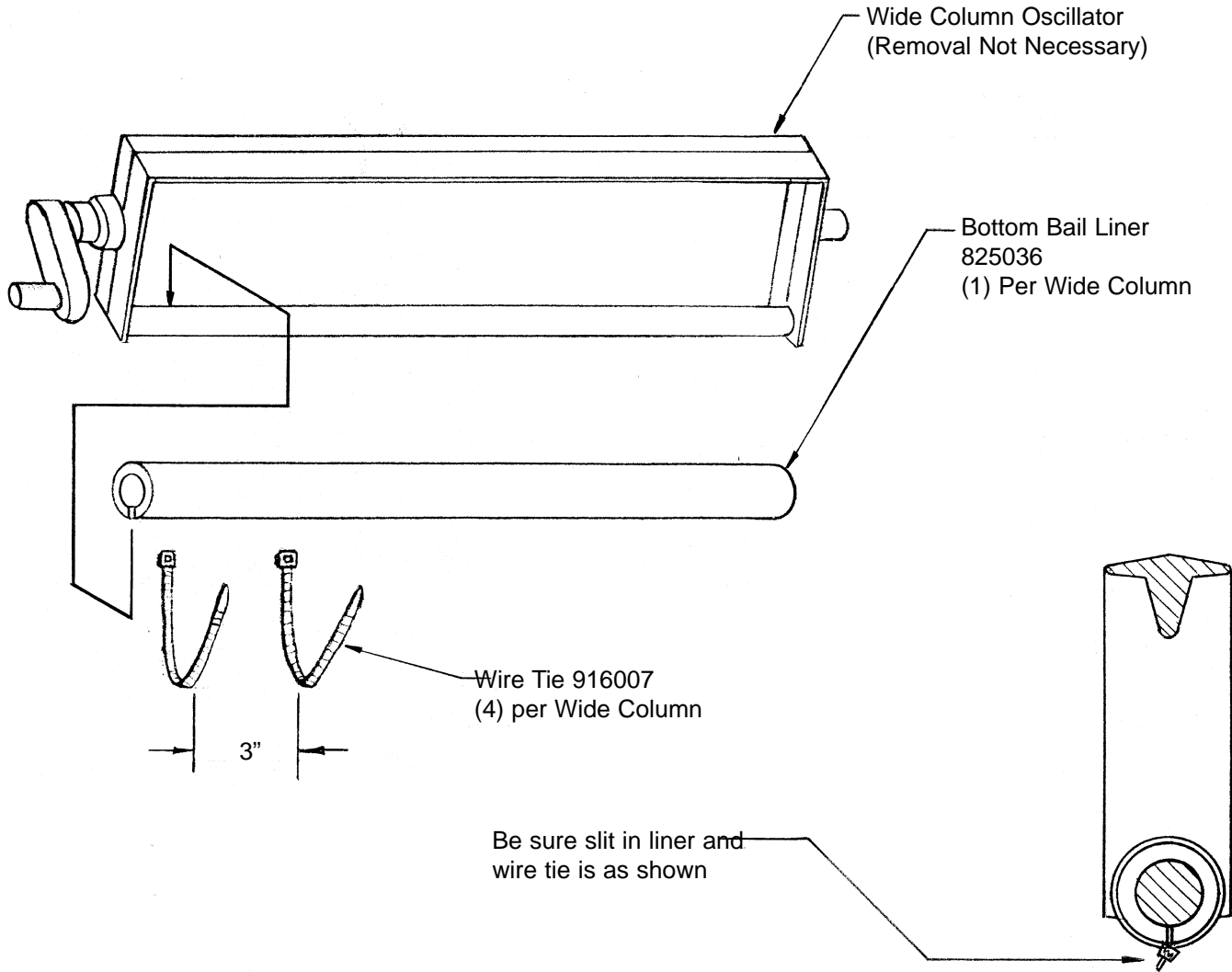
201 INDUSTRIAL BOULEVARD • KEARNEYSVILLE, WV 25430
Phone: (304) 728-7056 • Fax: (304) 725-6579 • Toll Free: (800) 931-9214

PAGE: 4 of 5
DATE: 8-17-00
REVISION: 03

SUBJECT: Installation of 7.7 oz. Can Kit

MODELS: Merlin 2000, Merlin III (376-8 Pepsi/Cold Drink)

DIAGRAM 3



ANY QUESTIONS??? CONTACT ROYAL VENDORS' CUSTOMER SERVICE DEPARTMENT
CALL TOLL FREE (800) 931-9214



SERVICE BULLETIN # 00059

201 INDUSTRIAL BOULEVARD • KEARNEYSVILLE, WV 25430
Phone: (304) 728-7056 • Fax: (304) 725-6579 • Toll Free: (800) 931-9214

PAGE: 5 of 5

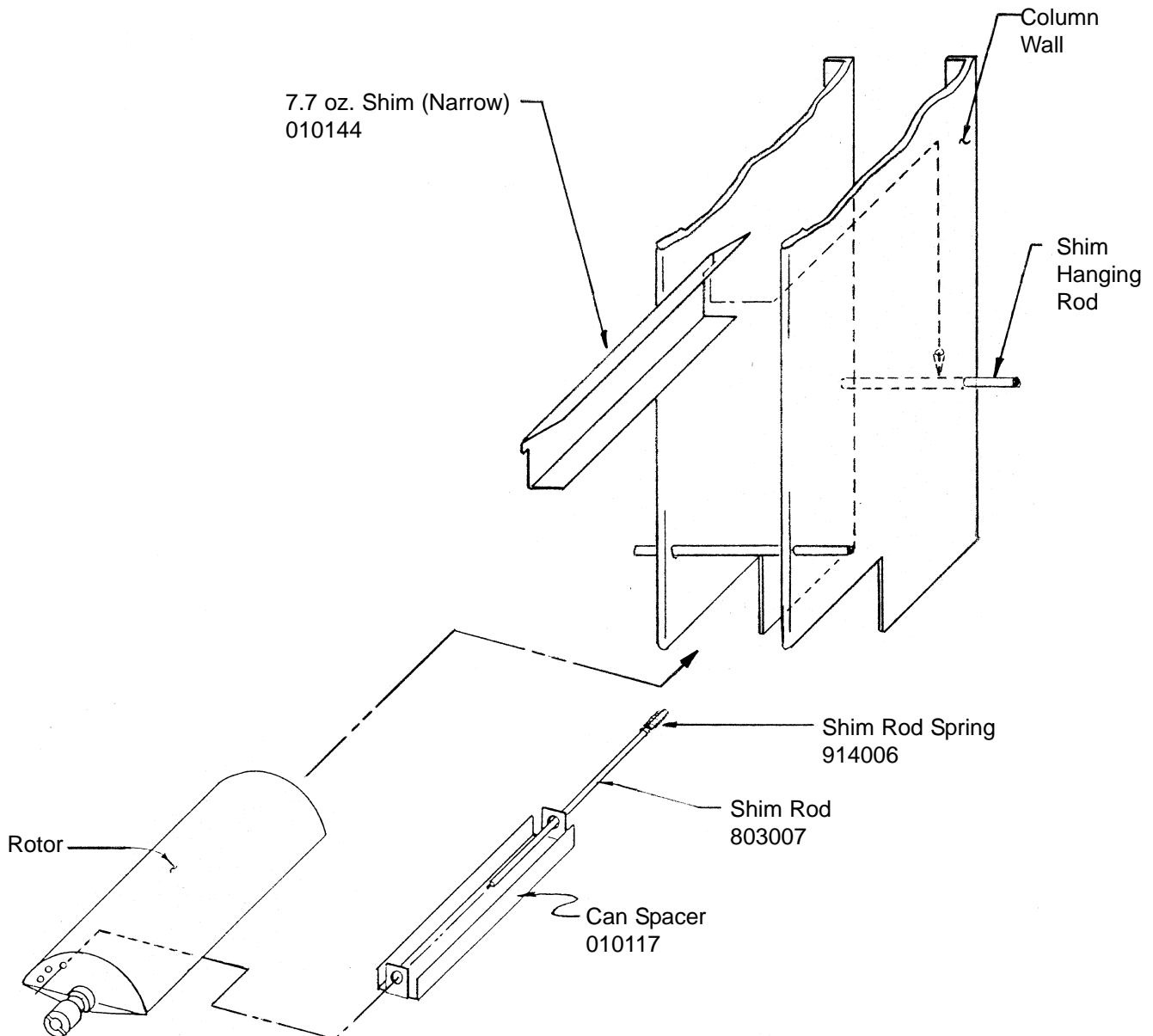
DATE: 8-17-00

REVISION: 03

SUBJECT: Installation of 7.7 oz. Can Kit

MODELS: Merlin 2000, Merlin III (376-8 Pepsi/Cold Drink)

DIAGRAM 4



ANY QUESTIONS??? CONTACT ROYAL VENDORS' CUSTOMER SERVICE DEPARTMENT
CALL TOLL FREE (800) 931-9214