



# SERVICE BULLETIN # 00039

201 INDUSTRIAL BOULEVARD • KEARNEYSVILLE, WV 25430

Phone: (304) 728-7056 • Fax: (304) 725-6579 • Toll Free: (800) 931-9214

**PAGE:** 1 of 1

**DATE:** 8-17-00

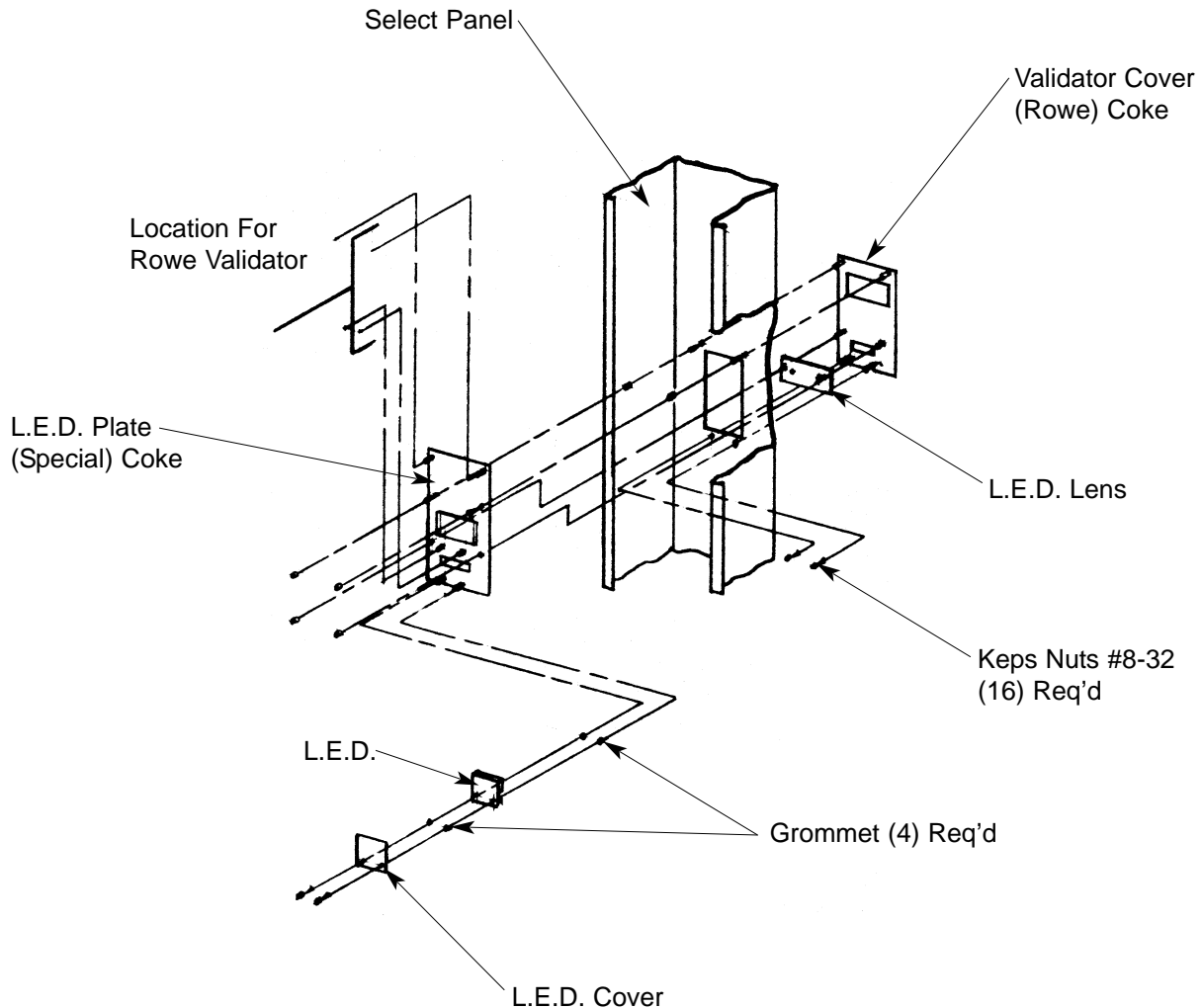
**REVISION:** 02

**SUBJECT:** Installation of Special Merlin Rowe Validator Plate

**MODELS:** Merlin Coke Venders with Serial No. 0000-1055 Only

KIT NUMBER	KIT DESCRIPTION
010183	Merlin Rowe Validator Plate Kit (0000-1055)

**BEFORE WORKING ON VENDER:** Remove power from vender by unplugging vender's main power cord from the AC voltage power source (wall outlet).



**ANY QUESTIONS???** CONTACT ROYAL VENDORS' CUSTOMER SERVICE DEPARTMENT  
CALL TOLL FREE (800) 931-9214