



# SERVICE BULLETIN 309

426 Industrial Boulevard • Kearneysville WV 25430-2776 • USA  
 Telephone: +1 304 728 7056 • technicalinquiry@royalvendors.com  
 Toll-free in North America: 1 800 931 9214 • Fax: +1 304 725 4016  
 Canada: +1 905 738 5777 • Mexico: +52 55 5203 6887  
 Europe: +49 2158 95 1000 • Australia: +61 2 9890 5433

Page: 1 of 3

Date: 8 Sep 09

Revision: 00

**SUBJECT:** Coin Cup Security Kit Installation

Number of  
People  
Required



**MODELS:** RVV NG

KIT NUMBER	KIT DESCRIPTION
356163	Coin Cup Security Kit

**TOOLS REQUIRED:** Phillips screwdriver, drill with 1/4" (7 mm) bit, 11/32" (9 mm) nut driver, rivet gun

**ESTIMATED INSTALLATION TIME:** 15 minutes

**REASON FOR BULLETIN:** The Coin Cup Security Kit is designed to prevent vandalism to the vender's coin cup and coin box assemblies by using a more heavy-gauge metal than the original installation. This bulletin describes the procedure for installing this kit.



The following areas of this vender contain voltage which can cause serious injury or even death: the main power cord, supplying 115-230 VAC to the evaporator, EMI filter, and refrigeration system; the power line from the EMI filter to the ballast and transformer; and the ballast, which can produce upwards of 600 volts. Remove all power from the vender before working in any of these areas.

## INSTALLATION INSTRUCTIONS:

### Part 1: Coin Cup.

1. Remove power by unplugging the vender's power cord from the AC voltage source (wall outlet).
2. Remove the changer from the vender.
3. Remove the nuts that secure the changer hat section inside the vender's door. Then, remove the changer hat section. (Refer to Figure 1.)
4. If the vender's fascia is still covering the area around the coin cup, remove it.
5. Remove the original coin cup, if still present.
6. If the original coin cup threadstuds are still secured in the vender's door, remove them. (Refer to Figure 2.)
7. Place the template (from the kit) on the door as shown in Figure 3. Make sure to line up the template evenly with the coin cup hole. Then, using a hole punch, mark the template holes on the vender's door. Remove the template.
8. Using a 1/4" bit, drill out the holes created by the punch. Make sure to drill all the way through the door frame.
9. Mount the repair panel on the door, with the threadstuds going through the holes that were just drilled.
10. From inside the door, mount the coin cup from the kit on the threadstuds. Secure the coin cup and the repair panel with the eight supplied nuts. (Refer to Figure 4.)
11. Reinstall the changer hat section.
12. Reinstall the changer.

### Part 2: Coin Box.

1. Remove the coin box from the vender's door.
2. Install the coin box baffle as shown in Figure 5. Secure it to the coin box using the supplied rivets.
3. Reinstall the coin box in the vender's door.
4. Restore power to the vender by plugging the vender's power cord into the AC voltage source (wall outlet).

In an effort to provide our customers with the latest information on our equipment, Royal Vendors sends service bulletins to customers using the original ship-to address or e-mail addresses, if supplied by our customers. We also post all service bulletins on our website at www.royalvendors.com. If for any reason a vender is moved to another location or is sold to another customer other than to whom Royal Vendors originally sent the machine, it is the responsibility of the original purchaser of the vender to notify the appropriate personnel of the service bulletin.

**ANY QUESTIONS? CONTACT ROYAL VENDORS' CUSTOMER SERVICE DEPARTMENT  
IN NORTH AMERICA, CALL TOLL FREE 1 800 931 9214**



# SERVICE BULLETIN 309

426 Industrial Boulevard • Kearneysville WV 25430-2776 • USA  
Telephone: +1 304 728 7056 • technicalinquiry@royalvendors.com  
Toll-free in North America: 1 800 931 9214 • Fax: +1 304 725 4016  
Canada: +1 905 738 5777 • Mexico: +52 55 5203 6887  
Europe: +49 2158 95 1000 • Australia: +61 2 9890 5433

Page: 2 of 3

Date: 8 Sep 09

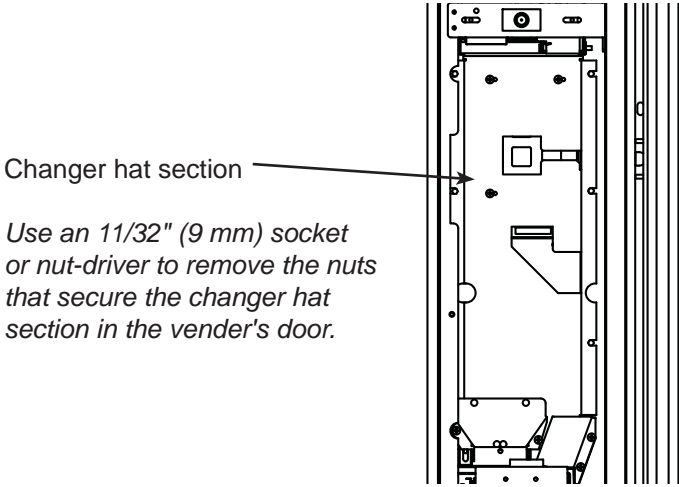
Revision: 00

**SUBJECT:** Coin Cup Security Kit Installation

**MODELS:** RVV NG

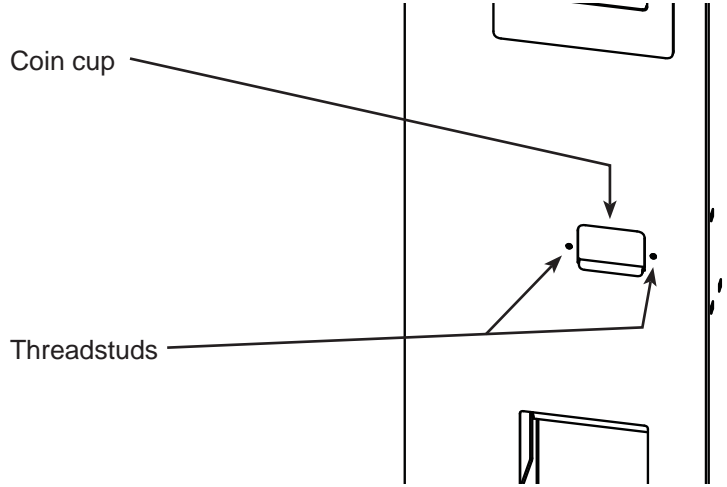
**Figure 1.**

Remove the nuts that secure the changer hat section. Then, remove it from the vender's door.



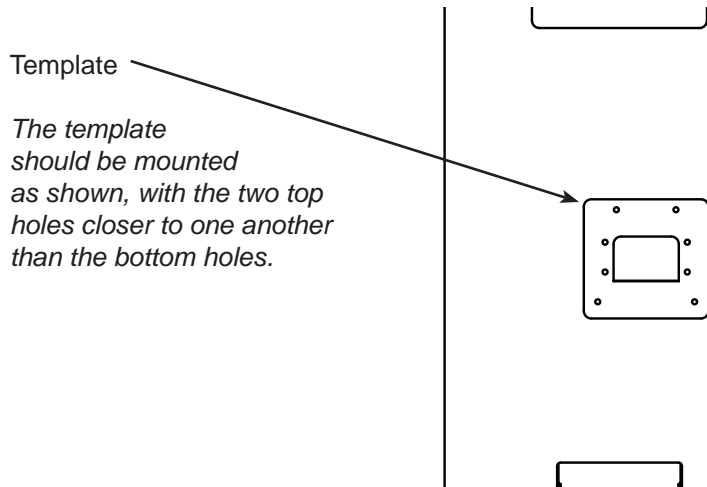
**Figure 2.**

Remove the threadstuds from each side of the coin cup (if present).



**Figure 3.**

Align the template evenly with the coin cup. Then, use a hole punch to mark the holes to be drilled.



**ANY QUESTIONS? CONTACT ROYAL VENDORS' CUSTOMER SERVICE DEPARTMENT IN NORTH AMERICA, CALL TOLL FREE 1 800 931 9214**



# SERVICE BULLETIN 309

426 Industrial Boulevard • Kearneysville WV 25430-2776 • USA  
Telephone: +1 304 728 7056 • technicalinquiry@royalvendors.com  
Toll-free in North America: 1 800 931 9214 • Fax: +1 304 725 4016  
Canada: +1 905 738 5777 • Mexico: +52 55 5203 6887  
Europe: +49 2158 95 1000 • Australia: +61 2 9890 5433

Page: 3 of 3

Date: 8 Sep 09

Revision: 00

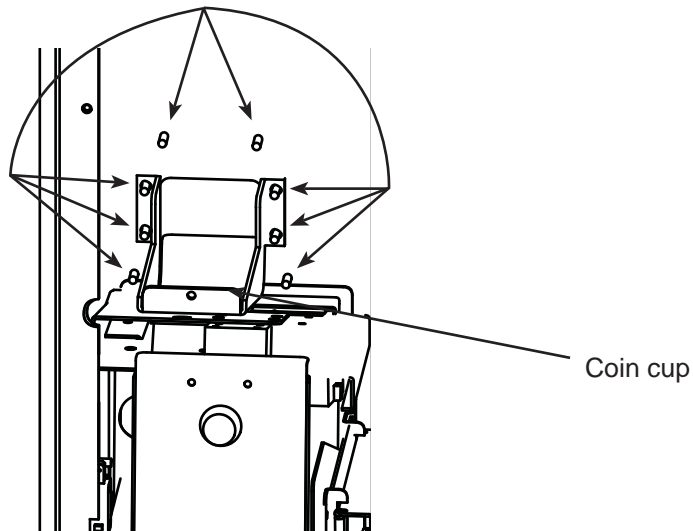
**SUBJECT:** Coin Cup Security Kit Installation

**MODELS:** RVV NG

**Figure 4.**

Mount the coin cup on the threadstuds as shown. Using the nuts in the kit, secure the coin cup to the threadstuds and secure the repair panel to the door.

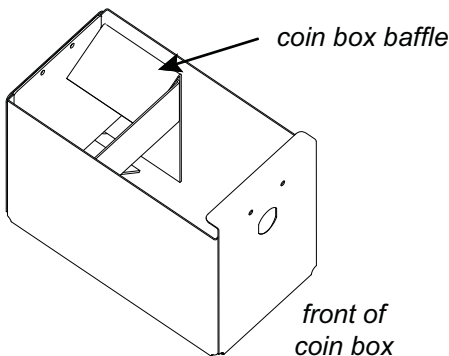
*Install nuts on these threadstuds*



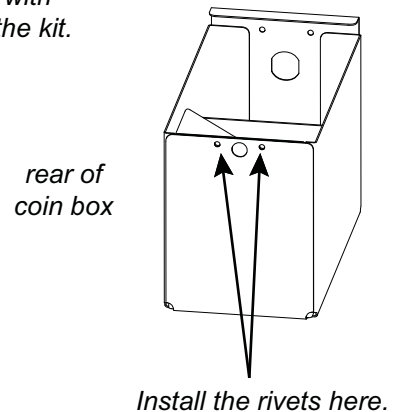
**Figure 5.**

Install the coin box baffle as shown. Secure it to the coin box with the two rivets from the kit.

*Coin box baffle installed in coin box*



*After the baffle is installed, secure it to the coin box with the two rivets supplied in the kit.*



**ANY QUESTIONS? CONTACT ROYAL VENDORS' CUSTOMER SERVICE DEPARTMENT  
IN NORTH AMERICA, CALL TOLL FREE 1 800 931 9214**