



SERVICE BULLETIN # 00028

201 INDUSTRIAL BOULEVARD • KEARNEYSVILLE, WV 25430

Phone: (304) 728-7056 • Fax: (304) 725-6579 • Toll Free: (800) 931-9214

PAGE: 1 of 1

DATE: 8-16-00

REVISION: 02

SUBJECT: Can Shim / Can Spacer Installation for 6 oz. Cans (Triple Depth Narrow Columns)

MODELS: Triple-Depth 510, 609

KIT NUMBER

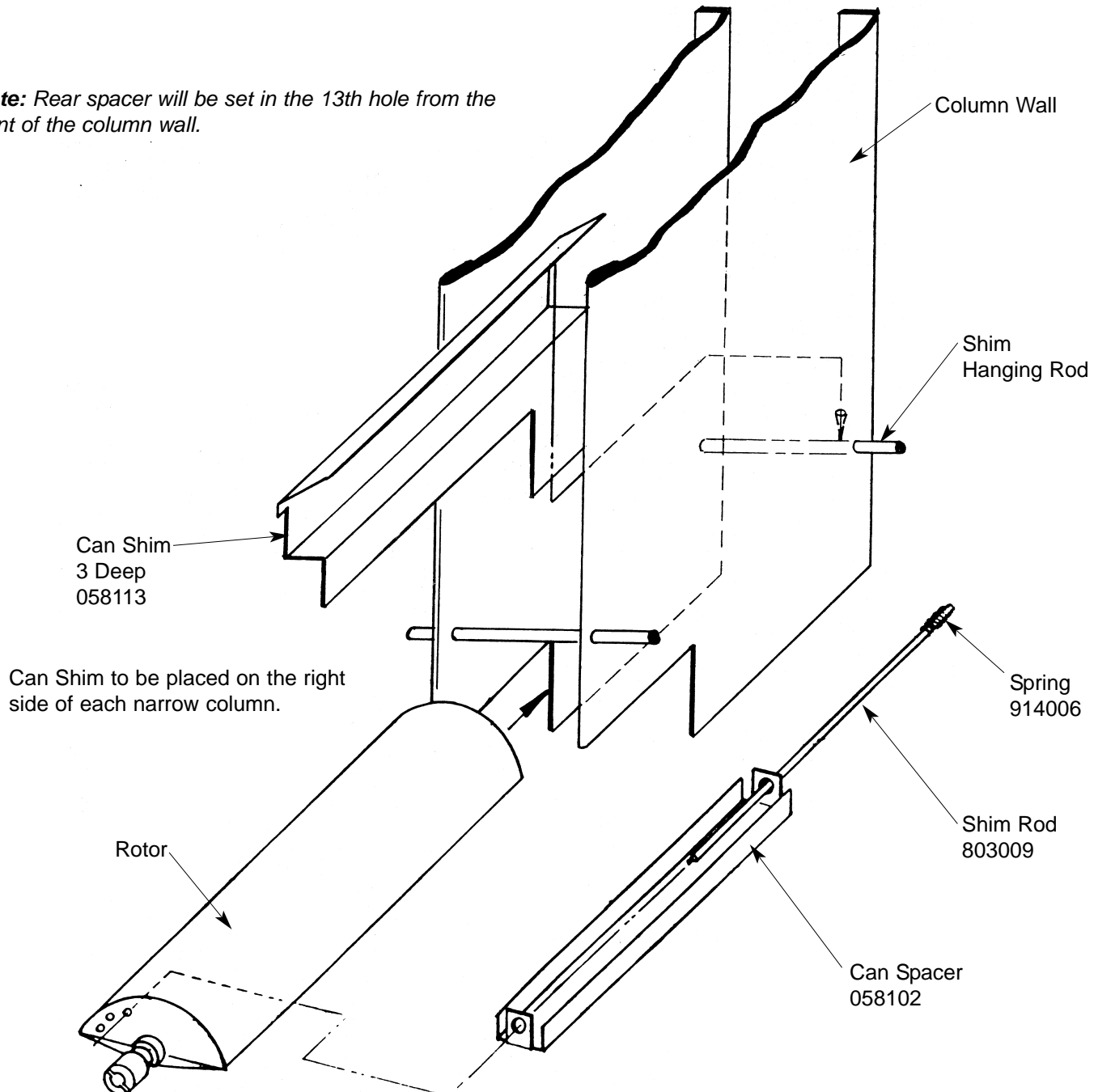
KIT DESCRIPTION

058131

Triple Depth 6 oz. Can Shim / Can Spacer Kit (1 Kit per Narrow column)

BEFORE WORKING ON VENDER: Remove power from vender by unplugging vender's main power cord from the AC voltage power source (wall outlet).

Note: Rear spacer will be set in the 13th hole from the front of the column wall.



ANY QUESTIONS??? CONTACT ROYAL VENDORS' CUSTOMER SERVICE DEPARTMENT
CALL TOLL FREE (800) 931-9214